

INSTRUCTION MANUAL

WALK BEHIND MATERIAL SPREADER





BETON TROWEL NV

Use this guide along with the parts lists attached to locate and identify components of your trowel. When ordering replacement parts, be sure to provide the model number and serial number from the trowel.

Copyright

© Copyright 2011 by Beton Trowel.

Contact

BETON TROWEL
Nijverheidsstraat 10
1840 Londerzeel
BELGIUM
www.betontrowel.com

Nijverheidsstraat 10
1840 Londerzeel/Belgium
Tel: +32 (0)52 315 350 - Tel: +32 (0)52 315 351
Fax: +32 (0)52 315 359
E-mail: info@betontrowel.com
BE 0821.249.312
www.betontrowel.com

BNP FORTIS: BE81 0015 9813 5624 - GEBABEBB
ING: BE BBRUBEBB

SAFETY PRECAUTIONS



SAFETY PRECAUTIONS	
	<p>CAUTION</p> <p>MOVING PARTS Before using the machine ensure that all guards and safety devices are in place and functioning properly.</p>
	<p>! ATTENTION</p> <p>READ OWNER'S MANUAL Read and understand operator's manual before using this machine. Failure to follow operating instructions could result in serious injury or death.</p>

TABLE OF CONTENTS

WALK BEHIND MATERIAL SPREADER WARRANTY	5
SPECIFICATIONS	5
PREVENTATIVE MAINTENANCE AND ROUTINE SERVICE PLAN	6
ROUTINE SERVICE	7
OPERATION.....	7
ASSEMBLY INSTRUCTIONS.....	8-9
ASSEMBLY DRAWING AND PARTS LIST	10-11

WARRANTY

WALK BEHIND MATERIAL SPREADER

Beton Trowel agrees to furnish without charge, F.O.B. our plant, a replacement for any part or portion thereof, the Material Spreader, to be defective in either material or workmanship within a period of twelve (12) months from date of purchase, provided that notice of such defective part or portion thereof is given to Beton Trowel. Within the twelve month warranty period. No further or other guarantee or warranty expressed or implied in connection with the sale of the Material Spreader is given and our sole liability consists in replacing defective parts or portions thereof. We shall not be responsible for any special, indirect or consequential damages arising in any manner whatsoever.

This guarantee is for the sole benefit of the original purchaser as end user. Our responsibility under this guarantee ends in the case the original purchaser transfers ownership of the Material Spreader, make any changes or adds any parts or devices not of our manufacture to the Material Spreader.

SPECIFICATIONS

DIMENSIONS	
Length (handle up)	95cm
Height (handle up)	93cm
Length (handle down)	65cm
Height (handle down)	62cm
Width	130cm
Discharge Width	99cm
Weight	60kg



PREVENTATIVE MAINTENANCE AND ROUTINE SERVICE PLAN

This Material Spreader has been assembled with care and will provide years of service. Preventative maintenance and routine service are essential to the long life of your Material Spreader. Your dealer is interested in your new machine and has the desire to help you get the most value from it. After reading through this manual thoroughly, you will find that you can do some of the regular maintenance yourself. However, when in need of parts or major service, be sure to see your Beton Trowel dealer. For your convenience we have provided this space to record relevant data about your Material Spreader. When in need of parts or service be prepared to provide your Material Spreader serial number. Locate the serial number now and record in the space below.

Date Purchased:		Type of Machine:	
Dealer Name:		Model:	
Dealer Phone:		Serial Number:	

Replacement Parts Used				Maintenance Log	
Part No.	Quantity	Cost	Date	Date	Operation

ROUTINE SERVICE INTERVAL

Due to the nature and environment of use, the Material Spreader could be exposed to severe operating conditions. Some general maintenance guidelines will extend the useful life of your machine.

- Regular service will prolong the life of the Material Spreader and prevent expensive repairs.
- Keeping your Material Spreader clean and free from debris is the single most important regular maintenance operation, over and above the checks in the service schedule that can be performed.
- After each use your Material Spreader should be emptied and cleaned to remove any dust and debris from the hopper, gate opening and surrounding components.
- Check the gate control handle for smooth operation.
- Failure to have your Material Spreader regularly serviced and properly maintained in accordance with the manufacturer's instructions will lead to premature failure and void the warranty.

OPERATION

- Close the gate before adding any material into the hopper.
- Perform testing in order to determine a proper gate opening and proper working speed in relation to the desired quantity of material to be spread for the number of spreading passes.
- For best performance during spreading, keep the hopper over half full.

◀ ASSEMBLY INSTRUCTIONS

Step 1: Take wheels and spreader out of the box.

Step 2: The wheel mounting bolts will already be on the hubs for the wheels

Step 3: Mount wheels to the mounting plate and secure mounting bolts



Step 4: Material Spreader shown with handle in the folded down position.



Step 5: Raise handle and align slot with stud.

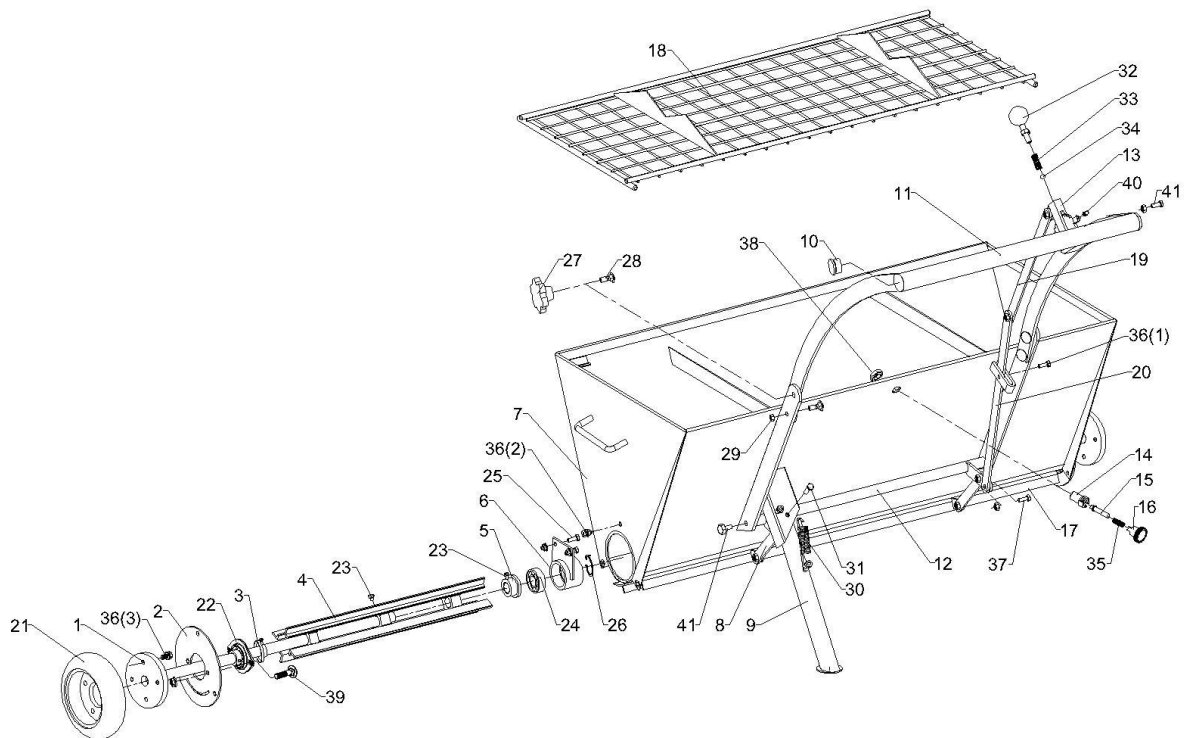


Step 6: Slide slot onto the stud



Step 7: Tighten knob to secure the handle in place

ASSEMBLY DRAWING AND PARTS LIST



Item No.	Part No.	Description	Qty.
1	MS1000S1300F	FLANGE	2
2	MS1000S1003	PLATE	2
3	MS1000S1002	BLOCK	2
4	MS1000S1200	ROLLING SHAFT	2
5	MS1000S1001	BLOCK	2
6	MS1000S1100	BEARING FLANGE	1
7	MS1000S3100	HOPPER	1
8	MS1000S2007	CONNECTING PLATE	2
9	MS1000S4100	SLANT	1
10	MS1000S2001	PLUG	2
11	MS1000S2100	HANDLE	1
12	MS1000S2300	SHAFT	1
13	MS1000S2200	SUPPORT	1
14	MS1000S4003	ROD BLOCK	1
15	MS1000S4006	ROD	1
16	MS1000S4002	ROD HEAD	1
17	MS1000S2400	BAFFLE	1
18	MS1000S4200	NET COVER	1
19	MS1000S2006	CONNECTING PLATE	1
20	MS1000S2005	CONNECTING PLATE	1
21	MS9625	WHEEL	2
22	MS9475	BEARING	2
23	9133	BOLT	10
24	MS9141A	BEARING	2
25	9262	BOLT	2
	9743	NUT	2
26	9473	RETAINER RING	1
27	MS1000S4005	LOCKING KNOB	2
28	9741	BOLT	4
29	9016	NUT	2
30	MS1000S4001	SPRING	1
31	9215	BOLT	1
	9236	NUT	1

Item No.	Part No.	Description	Qty.
32	MS1000S2003	KNOB	1
	9091	NUT	1
33	MS1000S2004	SPRING	1
34	MS1000S2002	STEEL BALL	1
35	MS1000S4004	SPRING	1
36(1)	MS9213	BOLT	1
36(2)	MS9213	BOLT	6
	9743	NUT	6
36(3)	MS9213	BOLT	8
	9037	SPRING WASHER	8
	9038	WASHER	8
37	9098	BOLT	7
	9236	NUT	7
38	9742	NUT	1
39	9740	BOLT	4
40	9317	BOLT	1
	9308	NUT	1
41	9018	BOLT	2
	9016	NUT	1