

OPERATING AND SAFETY INSTRUCTION MANUAL

PLATE COMPACTOR BTPC60RH - BTPC60H - BTPC70H - BTPC95H - BTPC110Y - BTPC160H - BTPC160Y - BTPC240Y - BTPC350Y - BTPC405Y



TABLE OF CONTENTS

1. INTRODUCTION	3
2. SPECIFICATION	4
3. NOISE & EMISSION	5
4. HOW TO READ PRODUCT CALL NUMBER AND PART NUMBER	5
5. BEFORE STARTING YOUR OPERATION	7
6. ENGINE STARTING	9
7. OPERATION	11
8. STOPPING	12
9. TRANSPORTATION & INSTALLATION	13
10. TROUBLE SHOOTING	14
11. SAFETY LABELS	17
12. SPARE PARTS LIST BTPC60RH	18
13. SPARE PARTS LIST BTPC60H	33
14. SPARE PARTS LIST BTPC70H	35
15. SPARE PARTS LIST BTPC95/110	38
16. SPARE PARTS LIST BTPC160	45
17. SPARE PARTS LIST BTPC240	58
18. SPARE PARTS LIST BTPC350	71
19. SPARE PARTS LIST BTPC405	84
20. DECLARATION OF CONFORMITY	97



1. INTRODUCTION

We thank you very much for investing in a Beton Trowel Compaction Machine. Your return on capital investment will be well rewarded with high performance and a long trouble free life of your machine. The use of the best materials and careful precision machining of parts will ensure this.

3. NOISE & EMISSION

Noise emission:

weight sound pressure level at work station: 102dB

Working Station: 84dB

The sound power level: 3333333333

Note: the measurement is according to EN500-1:2006

Vibration emission:

Measured vibration emission value a: 888888

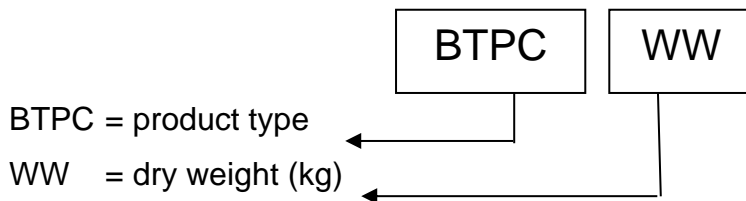
Arm Vibration: 79 m/s²

Uncertainty K: 789

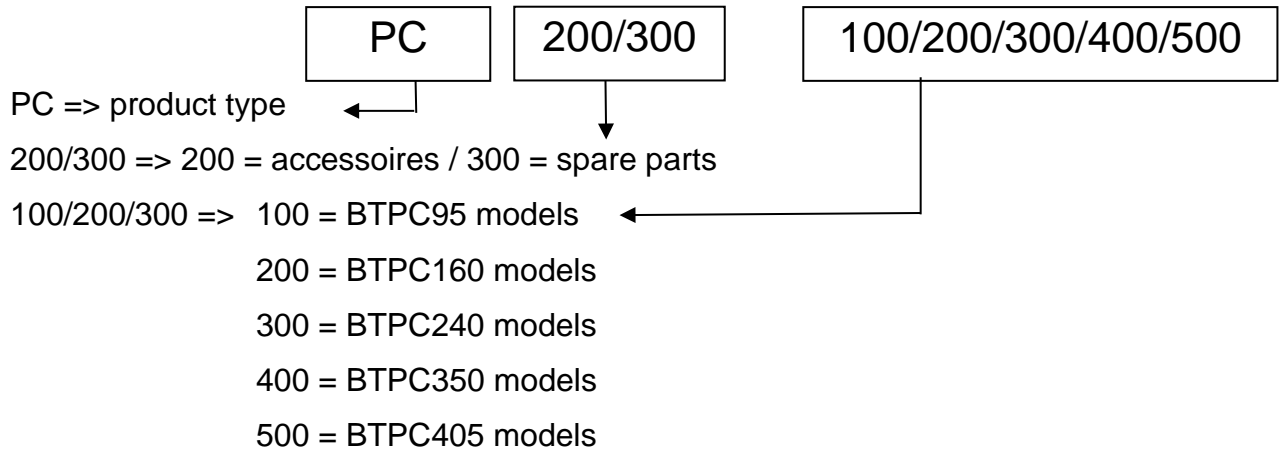
Note: the measurement is according to EN ISO 20643:2005

4. HOW TO READ PRODUCT CALL NUMBER AND PART NUMBER

The product model number definition is as follow



The part number definition is as follow



NAMEPLATE




BETON TROWEL NV

Model: Kg:

Serial No:



NIJVERHEIDSSTRAAT 10 1840 LONDERZEEL BELGIUM

www.betontrowel.com

5. BEFORE STARTING YOUR OPERATION

1. Make sure that all dirt, mud, etc., are thoroughly removed from the unit prior to operation. Special effort should be given to the bottom face of the vibrating plate and those areas adjacent to the cooling air inlet of engine, carburetor, and air cleaner.
2. Check all bolts and screws for tightness and make sure all bolts and screws are securely tightened.
Loose bolts and screws may cause damage to the unit.
3. Check the V-belt for tightness. The normal slack should be approximately 10-15mm (1/2") when the belts are forcibly depressed in the middle position between the two sheaves. If there is excess belt play, there could be a decrease in the impact force or erratic vibration, causing machine damage.
4. Check the engine oil level and if the engine oil level is low, it should be refilled. Use the Proper motor oil as suggested in the table below. (Fig-1)
5. Remove the oil plug in the vibrator assembly and check the oil level. Make sure the compactor is level when checking. The oil level should be up to the oil plug. Every month or every 200 hours of operation, replace the oil. (Fig-2.1 & Fig-2.2)

IMPORTANT:

Use the Motor oil SAE

When changing the oil, the old oil can be drained by tipping the unit. The oil will drain easily while it is hot

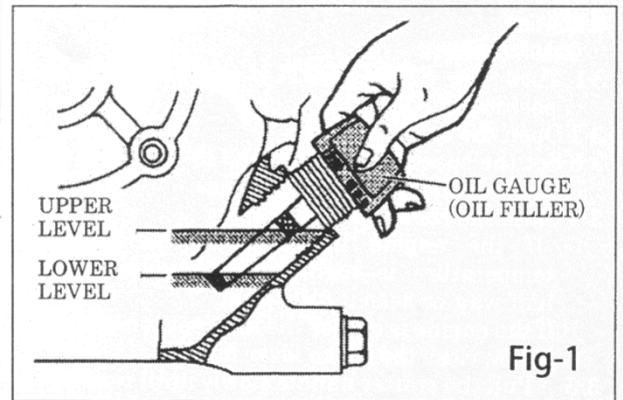


Fig-1

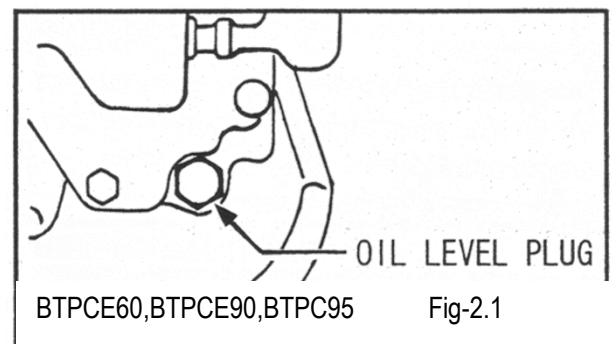
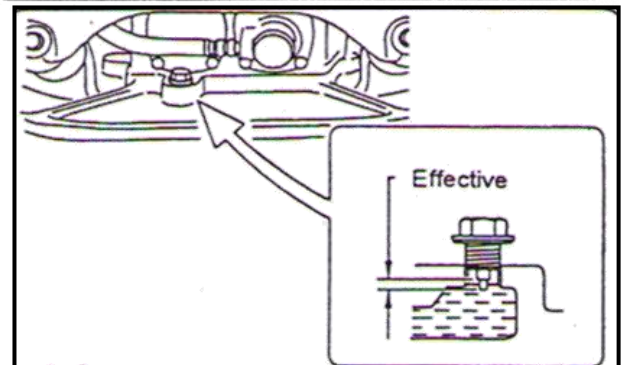


Fig-2.1



BTPC60,BTPC160,BTPC240,BTPC350,BTPC405 Fig-2.2

6. A regular grade gasoline should be used in the engine. When filling the fuel tank, make sure the fuel filter is used.

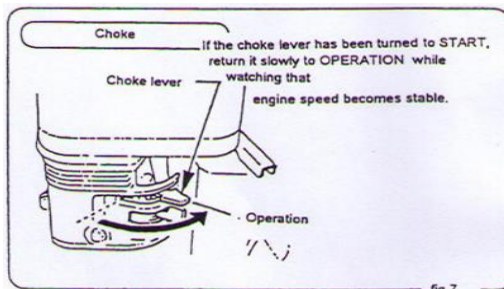
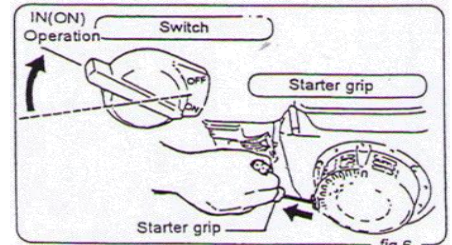
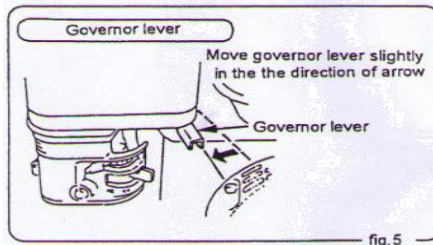
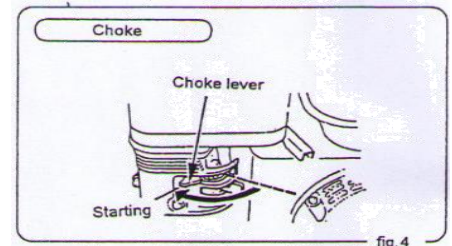
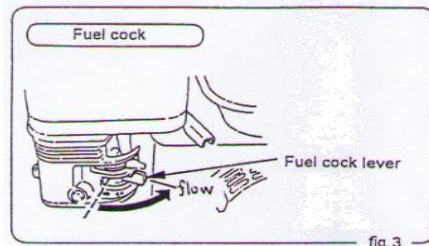
Season	Temperature	Oil to be used
Summer	25°C or higher	SAE#30
Spring/Fall	25°C~10°C	SAE#30, #20
Winter	0°C or lower	SAE#10

6. ENGINE STARTING

Petrol Engine (FOR BTPC95H & BTPC160H)

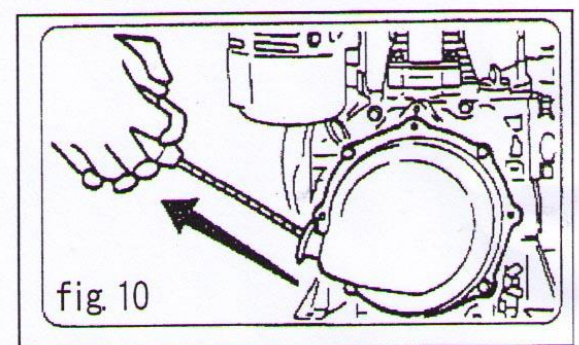
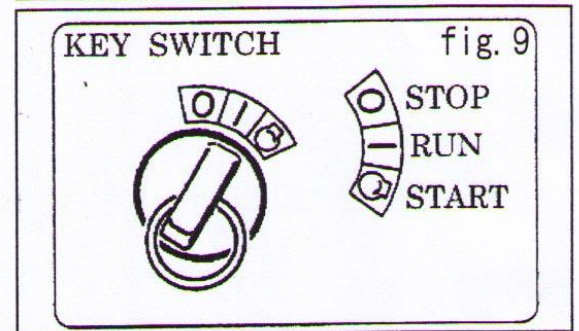
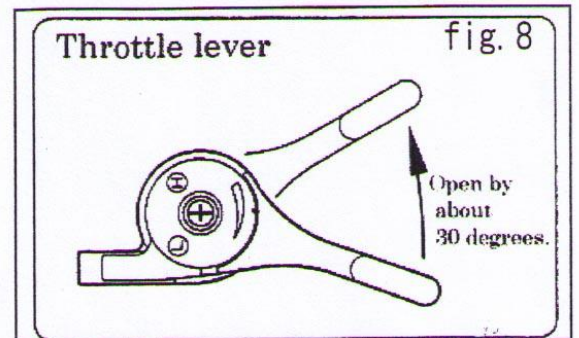
1. Align fuel cock lever with FLOW position (Fig.3)
2. When cold or somehow starting is difficult, turn choke lever to START position. This is not necessary when engine is warm. (Fig.4)
3. Turn governor lever slightly to high speed side. (Fig.5)
4. Turn engine start switch to ON position. (Fig.6)
5. Hold recoil starter grip and pull it slightly until you feel light resistance. Pull it strongly there. Be careful not to pull it too hard however because it may come off. Do not release the grip from the pulled position but return it to starter case before releasing. (Fig.6)
6. If engine has started, while listening to explosion sound, slowly return the choke lever to OPERATION position. (Fig.7)

After started, be sure to run the engine at low speed for a few minutes. It must be done in cold climate in particular. Check for abnormal noise of gas leak in the meantime.



Diesel Engine (FOR BTPC160Y & BTPC240Y & BTPC350Y & BTPC405Y)

1. Turn the throttle lever to START position (open by about 30 degrees) (Fig.8)
2. Operate Starter
In cast of self starter
 - A. Insert the key into starter switch
 - B. Turn the key to I (Run) mark.
 - C. Turn the key further clockwise to (Start) mark and the engine will start. (Fig.9)
3. After starting up the engine, be sure to perform a warm up run for 2 to 3 minutes. This should be performed without fail, particularly during winter season. While doing this, check for abnormal sound of gas leaking.



CAUTION



If your engine fails to start, do not rotate Starter motor for more than 5 seconds Continuously, but return the key to (Run) mark and wait for 10 seconds or so, before attempting again.



CAUTION

While your engine is running, never turn the key switch to (Star) Mark



CAUTION

In case you start with recoil starter or cranking, the key should be placed in I (Run) position as well.

In case of recoil starter

By pulling the starter knob slowly, you will reach such point where resistance becomes strong (compression point). By pulling it further, you will find a point where resistance is reduced. Return the knob but slowly return it original position. (Fig. 10)



CAUTION

Don't pull the rope all the way and don't take your hand off the pulled knob but slowly return it to original position.

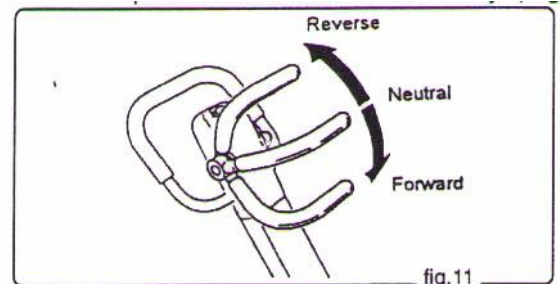
7. OPERATION

Single Plate Compactor (For BTPC95H):

1. As the engine warms up, gradually move the choke lever to the OPEN position.
2. Move the speed control lever from the LOW to the HIGH position. When the engine speed reaches approximately 2300-2600 RPM, the centrifugal clutch engages. If the engine speed increased very slowly, it is possible that the clutch can slip. Do not operate the speed control lever slowly.

Reversible Plate Compactor (For BTPC160H, BTPC160Y, BTPC240Y, BTPC350Y, BTPC405Y):

1. Opening the governor lever sharply causes the compactor to start working (Fig. 5) When the engine speed reaches around 2300rpm, centrifugal clutch will be engaged.
The lever should be operated quickly without hesitation, because increasing the engine speed slowly causes the clutch to slip.
2. Operate travel lever to have compactor travel forward or reverse. Push the lever forward for forward travel, pull it back for reverse and place it in neutral for vibration in place. (Fig.11)
3. When you work on soil which contains clay, there may be cases where traveling speed drops because compaction plate does not leave ground surface as easily. Check the bottom of plate to see if clay has not stuck there. Incidentally, because the compactor can not be as efficient on clay of high moisture content then allow soil to dry to appropriate moisture content level or carry out compaction twice.
4. To discontinue your work, contrary to the starting time, return the governor lever quickly to LOW position. Do not move it slowly. (Fig. 5)



CAUTION

While engine is stopped, operating travel lever back and forth a few times causes the lever to be locked at forward position.



This does not mean it is in trouble but the check valve within hand pump is actuated. Do not try to operate the lever forcibly. The travel lever will operate normally when the engine is started and vibrator is in action.

8. STOPPING

For stopping the engine with your work discontinued, return the throttle lever to low position to be in idle state for 2-3 minutes. After cooling down engine, stop the engine completely.

Petrol Engine (FOR BTPC95H & BTPC160H)

- a. Turn the engine switch to off (O) position to stop.
- b. After stopping the engine, align the fuel cock lever to off (O) position.



CAUTION

If the engine is stopped while it is still hot, it may hasten wear such as burn out of oil slick in cylinder.

Diesel Engine (FOR BTPC160Y & BTPC240Y & BTPC350Y & BTPC405Y)

- a. Return the throttle lever forward original position to stop.
- b. For electric start, turn around the key switch to off (O) position to stop.

9. TRANSPORTATION & INSTALLATION

Transportation Safety:

CAUTION



- ◆ Shutdown the engine during transport.
- ◆ Tighten fuel tank cap securely and close fuel cock to prevent fuel from spilling.
- ◆ Drain fuel before transporting over long distance or on poor road.
- ◆ Lock the machine securely so the machine does not move or topple over.
- ◆ Operators for movement and installation shall hold a qualification certificate.
- ◆ Please move the press with proper, safe and reliable tools.

Installation Safety:

CAUTION



- ◆ The field installation after unpacking shall follow requirements in this manual.
- ◆ Installation conditions:
Ambient temperature: 5°C~40°C; no rapid changes causing dew.
Ambient humidity: 45%~65% (no dew)

10. TROUBLE SHOOTING

1. Engine

(1) Starting deficient

Fuel is available but spark plugs do not spark	Power available at high voltage cord	Spark plugs bridged.
		Carbon deposit on spark plug.
		Short-circuit due to deficient spark plug insulation.
		Improper spark plug gap.
	Power not available at high voltage cord	ON-OFF switch short circuiting.
		Ignition coil defective.
		Point not clean or gap improper.
		Condenser insulation deficient or short – circuiting. Spark plug coil broken or short – circuiting.
Fuel available and spark plugs spark	Compression is proper	Wrong fuel in use.
		Water or dust entered.
		Air cleaner not clean.
	Compression deficient	Suction/exhaust valve stuck or protruded.
		Piston ring and/or cylinder worn.
		Cylinder head and/or spark plug not tightened properly.
		Head gasket and/or spark plug gasket damaged.
Fuel not available at carburetor	Fuel not available in fuel tank.	
	Fuel cock not opened properly.	
	Fuel filter clogged.	
	Tank cap bleed hole clogged.	
	Aeration in piping.	

(2) Operation deficient

Weak in power	Compression is proper and doesn't misfire.	Air cleaner not clean
		Carbon deposit in cylinder
		Improper oil level in carburetor
	Compression insufficient (See "Compression deficient" above)	
	Compression is proper yet misfires	Water in tank
		Spark plug not clean
Ignition coil defective		
Spark plug occasionally short-circuits		
Engine overheated	Carbon deposit in combustion chamber or around exhaust port	
	Spark plug heat value improper	
	Cooling fins not clean.	
Rotational speed fluctuates	Governor adjustment deficient	
	Governor spring defective	
	Fuel flow deficient	
	Air taken in through suction piping system	

(3) Recoil starter function deficient

Recoil starter function deficient	Rotor clogged with dust
	Spiral spring failure due to fatigue

2. Machine

Travel speed slow and vibration weak	Engine output deficient and high speed revolution setting improper
	Clutch slips
	V-belts slips
	Excessive oil in vibrator
	Defect in vibrator internals
Travel forward or reverse but impossible to switch direction	Reversing parts defective
	Reversing lever installation deficient
	Oil hose broken
	Aeration in hydraulic oil for reversing system
	Check valve in hand pump clogged with dust
Dows not travel either forward or reverse	Piston bearing in cylinder defective
	V-belt disengaged or slips
	Clutch slips
	Vibrator locked
Travel lever operating resistance great	Piston bearing in cylinder defective
	Gall of hand pump piston
	Gall of vibrator cylinder piston


11. SAFETY LABELS

		
DANGER FUEL	DANGER EXHAUST	DANGER LIFTING
Fire risk	Operate only in well-ventilated area	Do not stand next to machine while lifting
		
WARNING NOISE	CAUTION MOVING PARTS	CAUTION READ
Wear ear protection	Do not touch moving parts in operation	Read operator's manual carefully before use

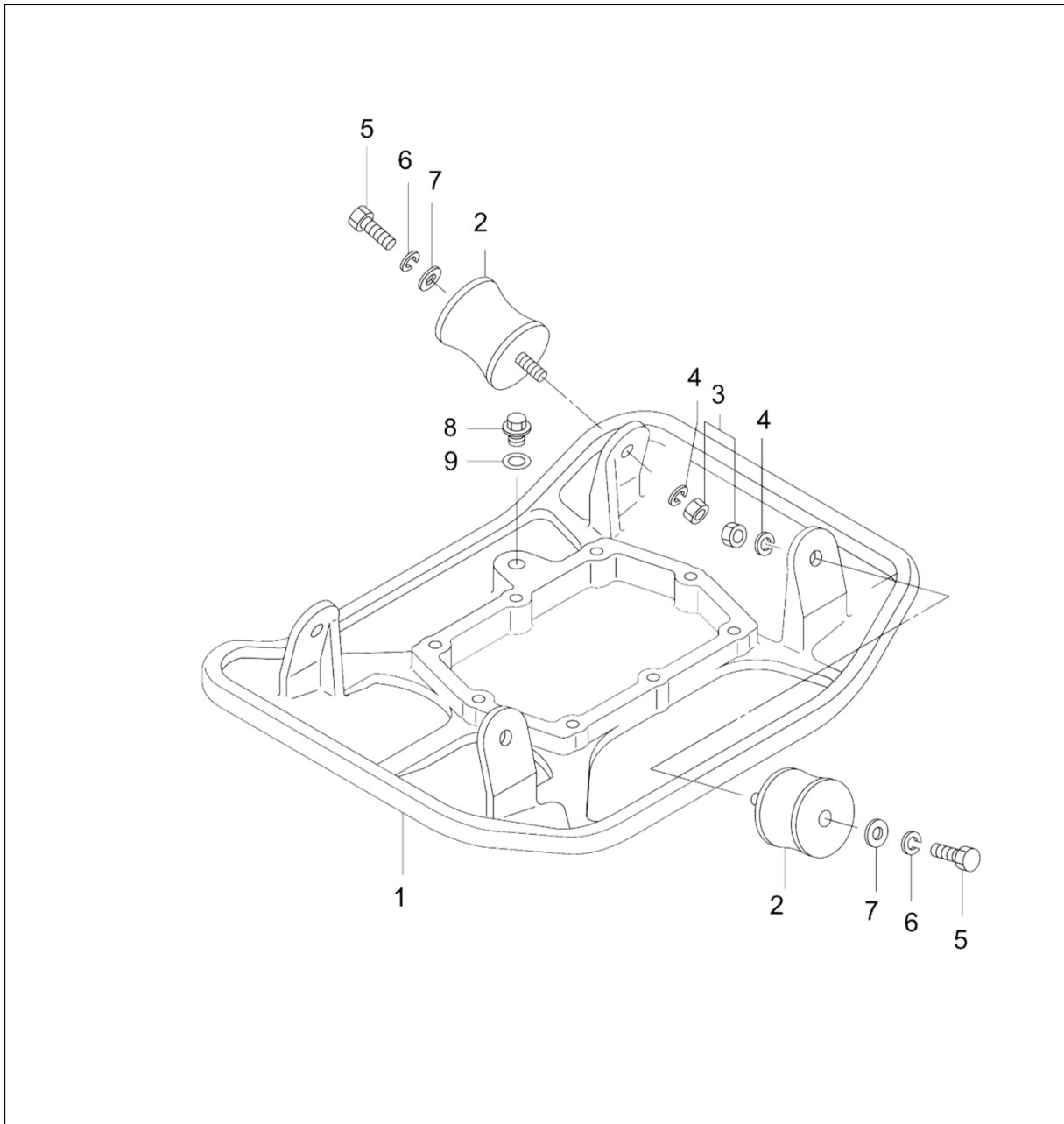
OPERATIONAL CAUTION

- Please ensure there are enough machine oil and fuel level before operate.
- Warm the engine 3 to 5 minutes before operate.
- Please operate machine at the full speed.
- Move the stop swift to "O (off)" position to stop the machine.

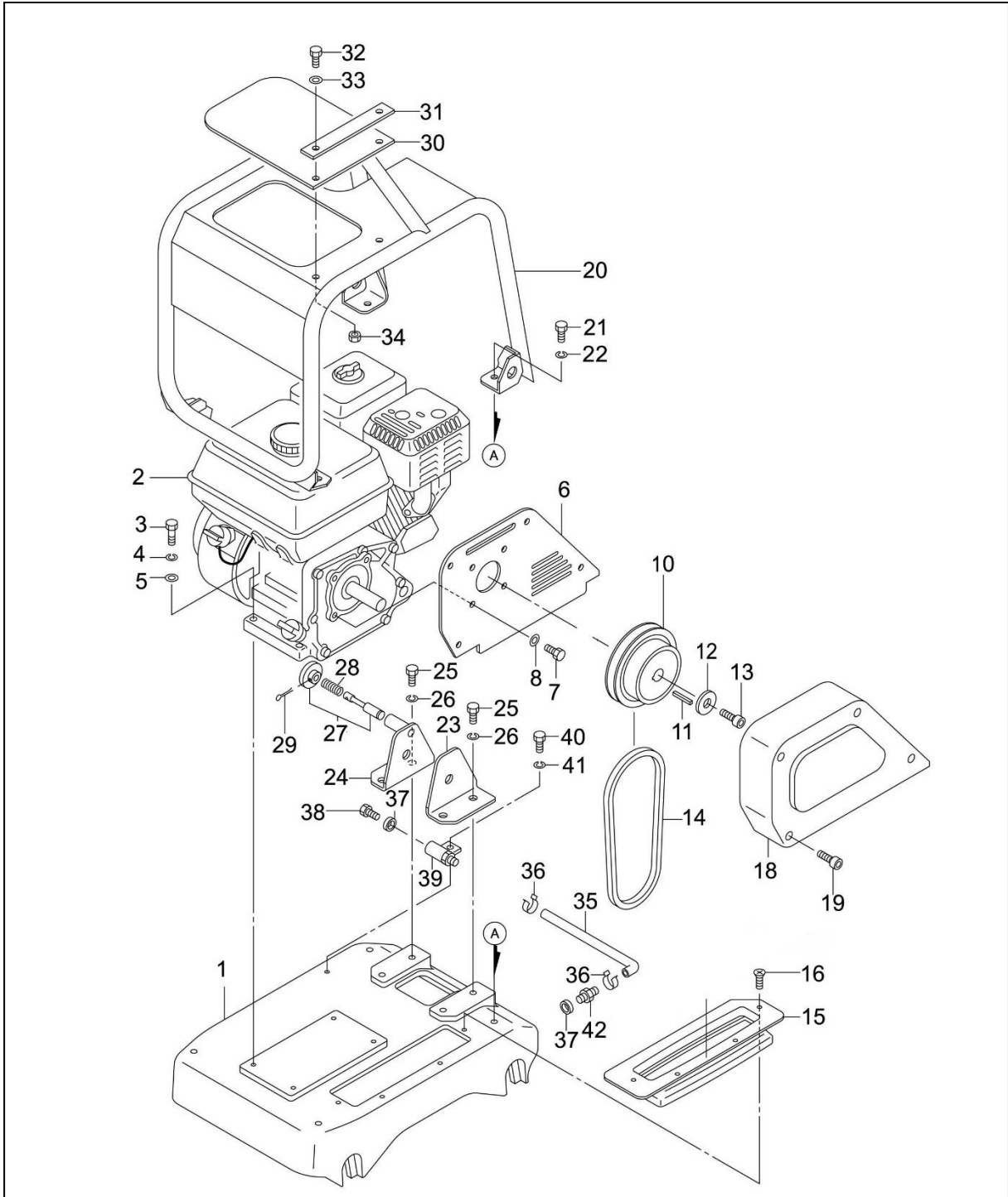
DON'T MOVE THE TRAVEL LEVER IF ENGINE STOPS




12. SPARE PARTS LIST BTPC60RH

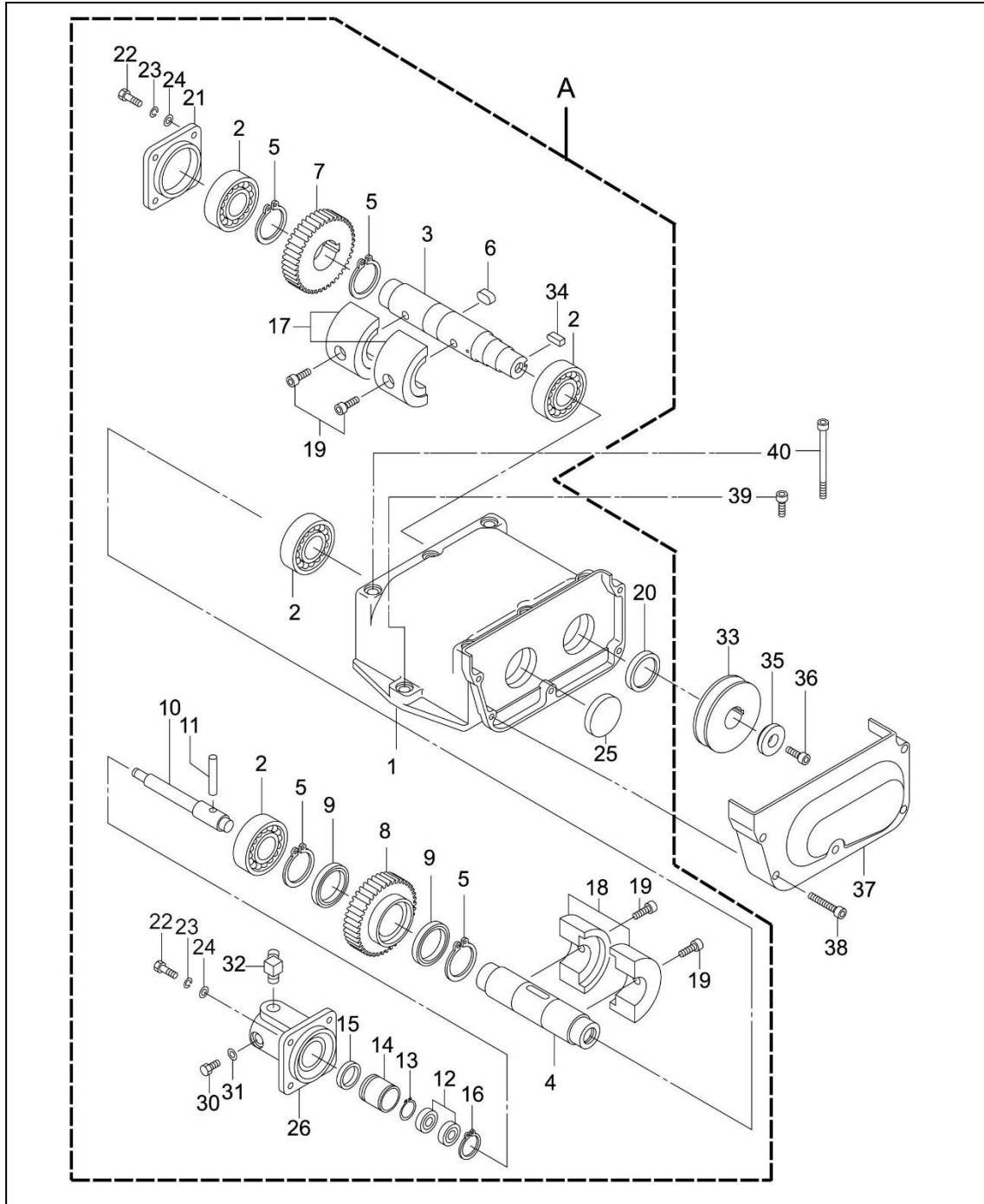


VIBRATING PLATE			
S/NO	PART NO	DESCRIPTION	QTY
1	CPC-60-1A	VIBRATING PLATE	1
2	CPC-60-2A	SHOCK ABSORBER	4
3	CPC-60-3A	NUT M10	4
4	CPC-60-4A	SW M10	4
5	CPC-60-5A	BOLT M10X30T	4
6	CPC-60-6A	SW M10	4
7	CPC-60-7A	WASHER	4
8	CPC-60-8A	OIL GAUGE	1
9	CPC-60-9A	PACKING	1



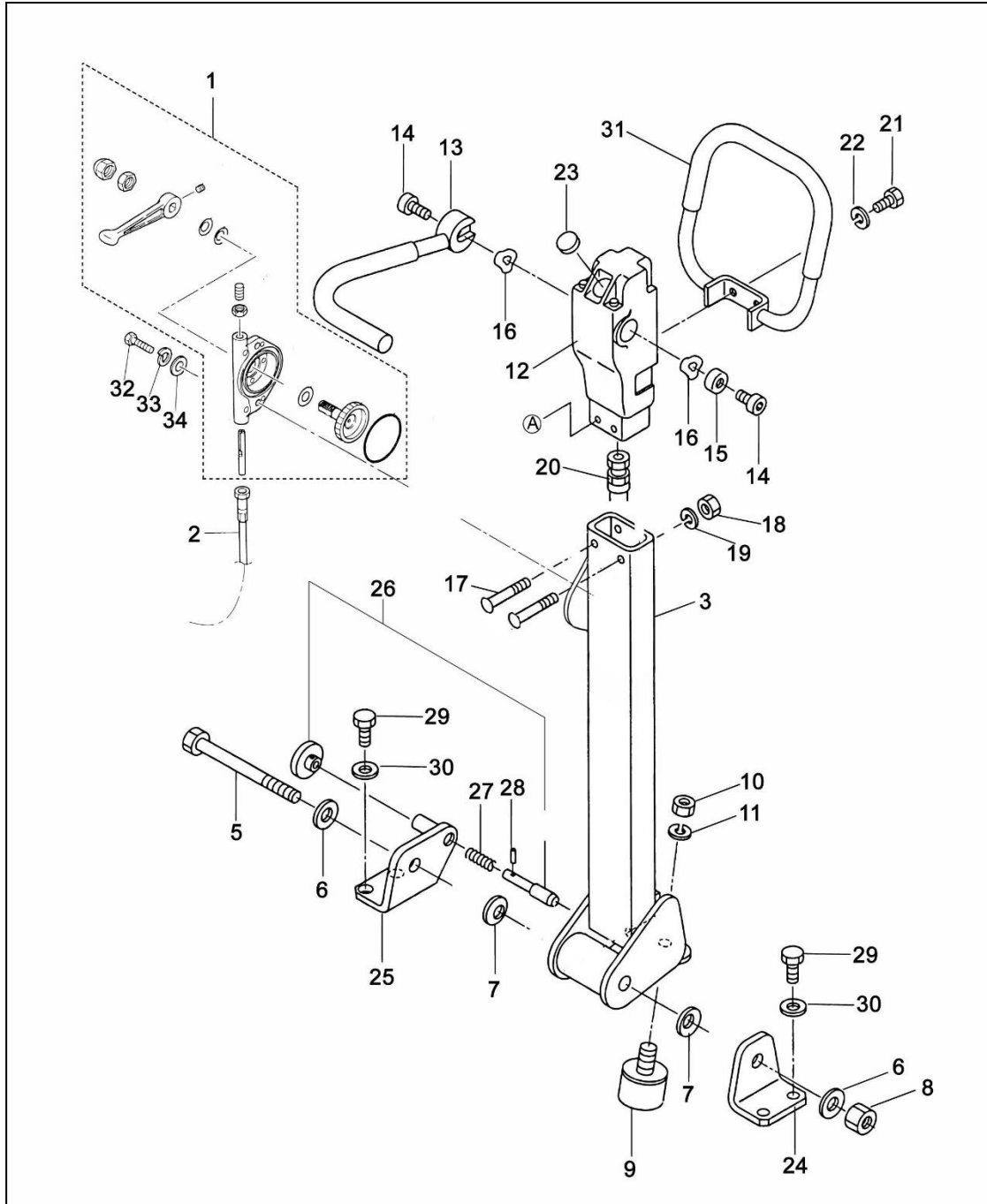
BODY			
S/NO	PART NO	DESCRIPTION	QTY
1	CPC-60-1B	BASE	1
2	CPC-60-2B	ENGINE	1
3	CPC-60-3B	BOLT M8X40T	4
4	CPC-60-4B	SW M8	4
5	CPC-60-5B	PW M8	4
6	CPC-60-6B	BELT COVER PLATE	1
7	CPC-60-7B	BOLT M8X20T	4
8	CPC-60-8B	SW M8	4
10	CPC-60-10B	CLUTCH ASSEMBLY	1
11	CPC-60-11B	KEY	1
12	CPC-60-12B	CLUTCH WASHER	1
13	CPC-60-13B	SOCKET HEAD BOLT M8X25T	1
14	CPC-60-14B	V-BELT	1
15	CPC-60-15B	DUST COVER	1
16	CPC-60-16B	FLAT HEAD SCREW M6X10T	4
18	CPC-60-18B	BELT COVER OUT	1
19	CPC-60-19B	SOCKET HEAD BOLT M8X70T	4
20	CPC-60-20B	GUARD FRAME	1
21	CPC-60-21B	BOLT M10X30T	4
22	CPC-60-22B	SW M10	4
23	CPC-60-23B	STAY (L) HANDLE	1
24	CPC-60-24B	STAY (R) HANDLE	1
25	CPC-60-25B	BOLT M10X30T	4
26	CPC-60-26B	SW M10	4
27	CPC-60-27B	STOPPER, GRIP SET	1
28	CPC-60-28B	SPRING 1.2-10-29	1
29	CPC-60-29B	SPRING PIN 2.5X16	1
30	CPC-60-30B	RUBBER COVER	1
31	CPC-60-31B	PLATE, RUBBER COVER	1
32	CPC-60-32B	BOLT M8X25T	2
33	CPC-60-33B	PW M8	2

34	CPC-60-34B	NYLON NUT M8	2
35	CPC-60-35B	DRAIN HOSE	1
36	CPC-60-36B	HOSE BAND 11.5D	2
37	CPC-60-37B	WASHER, DRAIN PLUG	2
38	CPC-60-38B	BOLT, DRAIN PLUG	1
39	CPC-60-39B	JOINT	1
40	CPC-60-40B	BOLT M8X20T	1
41	CPC-60-41B	SW M8	1
42	CPC-60-42B	UNION	1



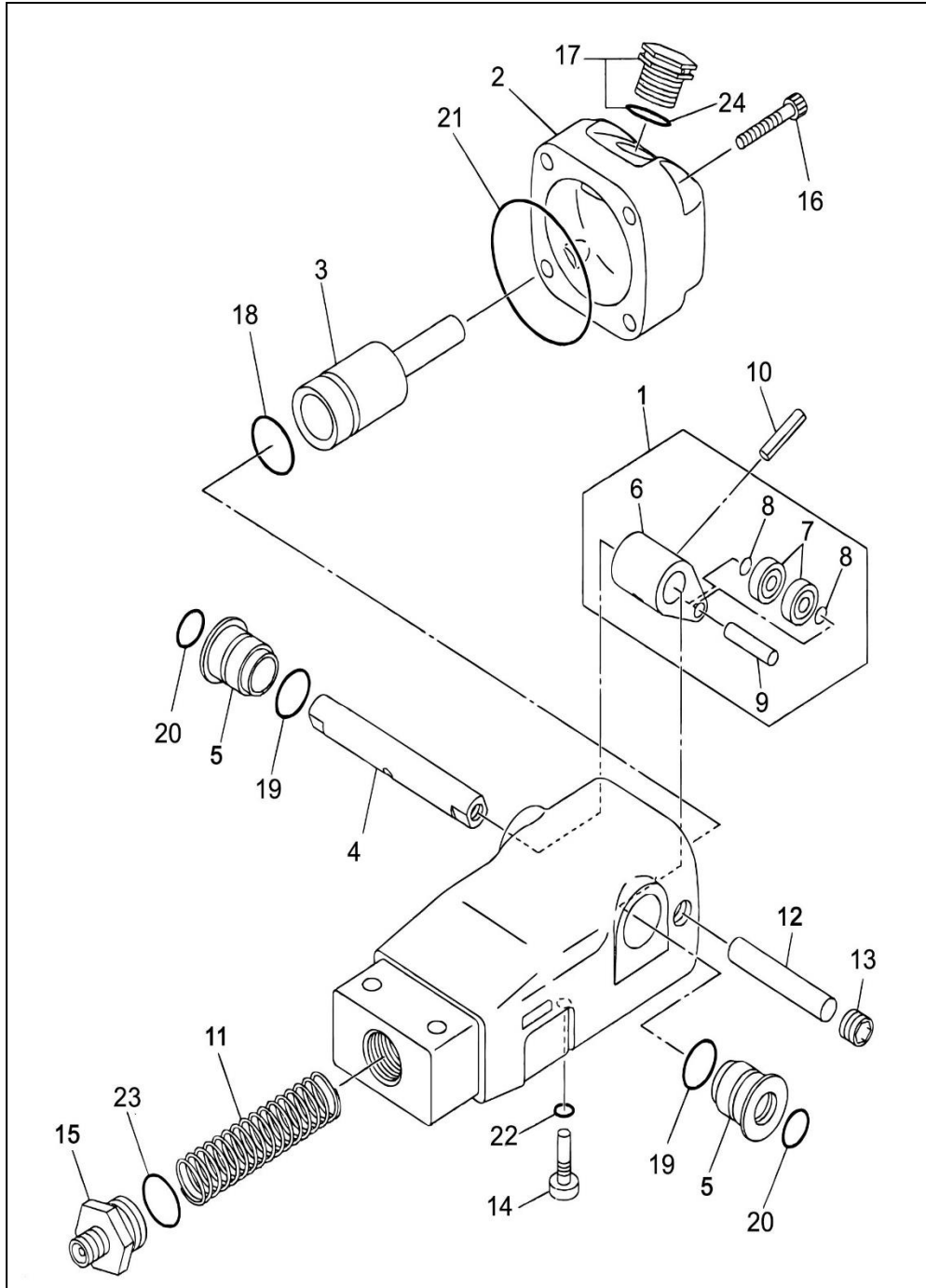
VIBRATOR			
S/NO	PART NO	DESCRIPTION	QTY
A	CPC-60-C	VIBRATOR ASSEMBLY	1
1	CPC-60-1C	VIBRATING CASE	1
2	CPC-60-2C	ROLLER BEARING 6206C4	4
3	CPC-60-3C	ROTARY SHAFT, DRIVE	1
4	CPC-60-4C	ROTARY SHAFT, DRIVEN	1
5	CPC-60-5C	STOP RING S-35	4
6	CPC-60-6C	KEY 10X8X19	1
7	CPC-60-7C	GEAR (DRIVE)	1
8	CPC-60-8C	GEAR (DRIVEN)	1
9	CPC-60-9C	BEARING 6807C3	2
10	CPC-60-10C	PISTON ROD	1
11	CPC-60-11C	PIN 8X45	1
12	CPC-60-12C	BEARING 6000ZZSG	2
13	CPC-60-13C	STOP RING S-10	1
14	CPC-60-14C	PISTON, 22.4D	1
15	CPC-60-15C	PACKING USH-22.4X30X5	1
16	CPC-60-16C	STOP RING R-26	1
17	CPC-60-17C	ECCENT. ROTATOR, DRIVE	2
18	CPC-60-18C	ECCENT. ROTATOR, DRIVEN	2
19	CPC-60-19C	SOCKET HEAD BOLT M10X25	4
20	CPC-60-20C	OIL SEAL	1
21	CPC-60-21C	BEARING COVER	1
22	CPC-60-22C	BOLT M8X20T	4
23	CPC-60-23C	SW M8	4
24	CPC-60-24C	PW M8	4
25	CPC-60-25C	SEAL CAP	1
26	CPC-60-26C	CYLINDER	1
27	CPC-60-27C	BOLT M8X20T	4
28	CPC-60-28C	SW M8	4
29	CPC-60-29C	PW M8	4
30	CPC-60-30C	BOLT M8X12T	1

31	CPC-60-31C	COPPER PACKING 8X16X2	1
32	CPC-60-32C	ELBOW	1
33	CPC-60-33C	PULLEY	1
34	CPC-60-34C	KEY 7X7X19	1
35	CPC-60-35C	WASHER	1
36	CPC-60-36C	SOCKET HEAD BOLT M8X15T	1
37	CPC-60-37C	BELT COVER	1
38	CPC-60-38C	SOCKET HEAD BOLT M6X40T	5
39	CPC-60-39C	BOLT M10X30T	2
40	CPC-60-40C	BOLT M10X100T	6

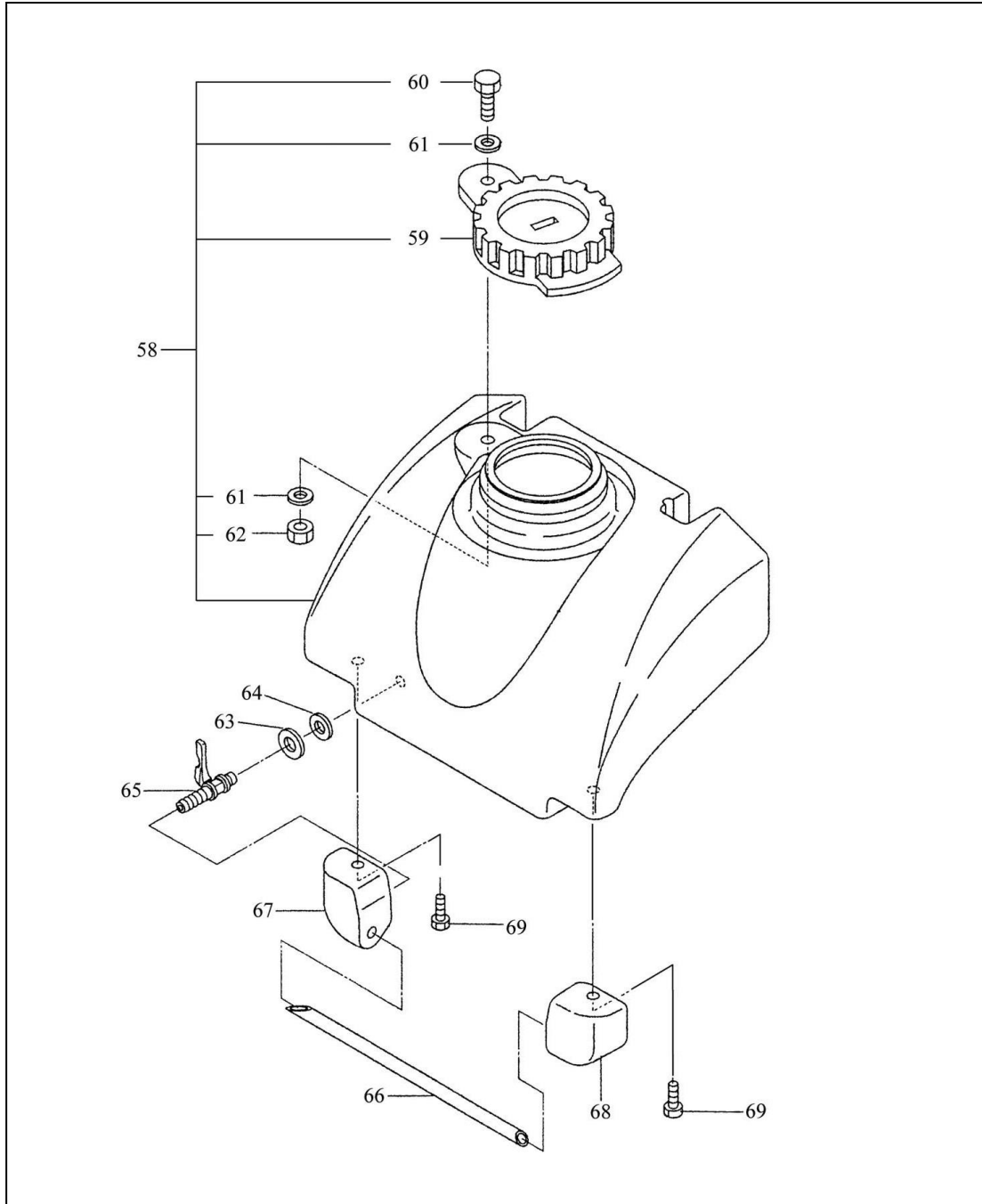


CONTROL			
S/NO	PART NO	DESCRIPTION	QTY
1	CPC-60-1D	THROTTLE LEVER ASSEMBLY	1
2	CPC-60-2D	THROTTLE WIRE	1
3	CPC-60-3D	HANDLE UPPER AY	1
4	CPC-60-4D	HANDLE LOWER AY	1
5	CPC-60-5D	BOLT M16X145T	1
6	CPC-60-6D	PW M16	2
7	CPC-60-7D	CONICAL SPRING VASHER M16	2
8	CPC-60-8D	NUT M16	2
9	CPC-60-9D	SHOCK ABSORBER, STOPPER	1
10	CPC-60-10D	NUT M10	1
11	CPC-60-11D	SW M10	1
12	CPC-60-12D	HAND PUMP ASSEMBLY	1
13	CPC-60-13D	TRAVEL LEVER	1
14	CPC-60-14D	SOCKET HEAD BOLT M10X20T	2
15	CPC-60-15D	COLLAR	1
16	CPC-60-16D	WAVE WASHER 15.5X20X0.3	4
17	CPC-60-17D	PUMP HOLDER M8X50T	2
18	CPC-60-18D	NYLON NUT M8	2
19	CPC-60-19D	SW M8	2
20	CPC-60-20D	OIL HOSE	1
21	CPC-60-21D	BOLT M8X20T	2
22	CPC-60-22D	SW M8	2
23	CPC-60-23D	BREATHER CAP	1
24	CPC-60-24D	HANDLE BRACKET (L)	1
25	CPC-60-25D	HANDLE BRACKET (R)	1
26	CPC-60-26D	STOPPER	1
27	CPC-60-27D	SPRING	1
28	CPC-60-28D	SPRING PIN 2.5X16	1
29	CPC-60-29D	BOLT M10X30T	4
30	CPC-60-30D	SW M10	4
31	CPC-60-31D	HANDLE GRIP	1

32	CPC-60-32D	BOLT M6X25T	2
33	CPC-60-33D	SW M6	2
34	CPC-60-34D	PW M6	2

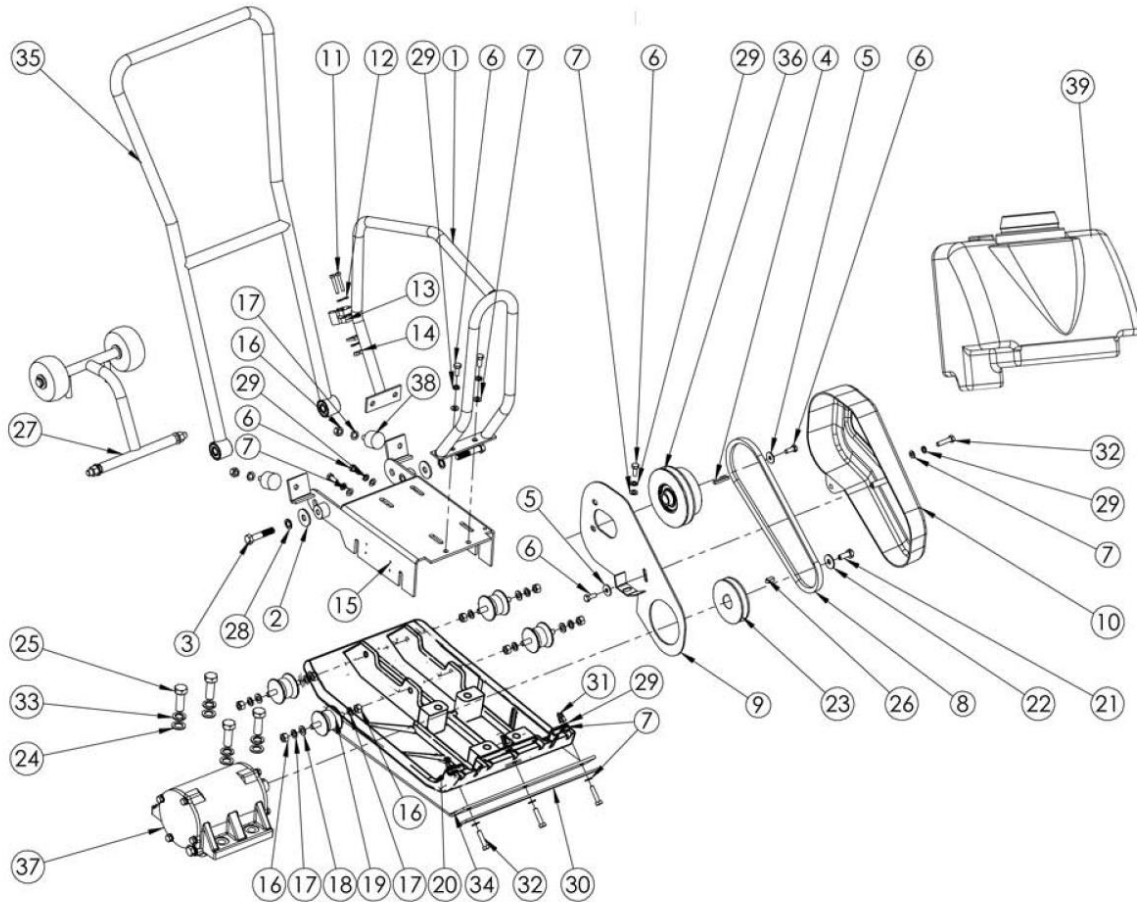


HAND PUMP ASSEMBLY			
S/NO	PART NO	DESCRIPTION	QTY
1	CPC-60-1E	CAN COMP (PUMP)	1
2	CPC-60-2E	COVER (HAND PUMP)	1
3	CPC-60-3E	PISTON CP	1
4	CPC-60-4E	CONTROL SHAFT (PUMP)	1
5	CPC-60-5E	BUSH	2
6	CPC-60-6E	CAN (PUMP)	1
7	CPC-60-7E	BEARING 607ZZ	2
8	CPC-60-8E	SPACER	2
9	CPC-60-9E	PIN 7X30	1
10	CPC-60-10E	SPRING PIN	1
11	CPC-60-11E	SPRING (PUMP)	1
12	CPC-60-12E	STOPPER (PUMP)	1
13	CPC-60-13E	PLUG	1
14	CPC-60-14E	STOP PLUG	1
15	CPC-60-15E	HOSE JOINT	1
16	CPC-60-16E	SOCKET HEAD BOLT M6X35T	4
17	CPC-60-17E	BEREATHER (PUMP)	1
18	CPC-60-18E	O-RING G-25	1
19	CPC-60-19E	O-RING P-20	2
20	CPC-60-20E	O-RING P-15	2
21	CPC-60-21E	O-RING S-67	1
22	CPC-60-22E	O-RING S-8	1
23	CPC-60-23E	O-RING S-22	1
24	CPC-60-24E	O-RING P-18	1



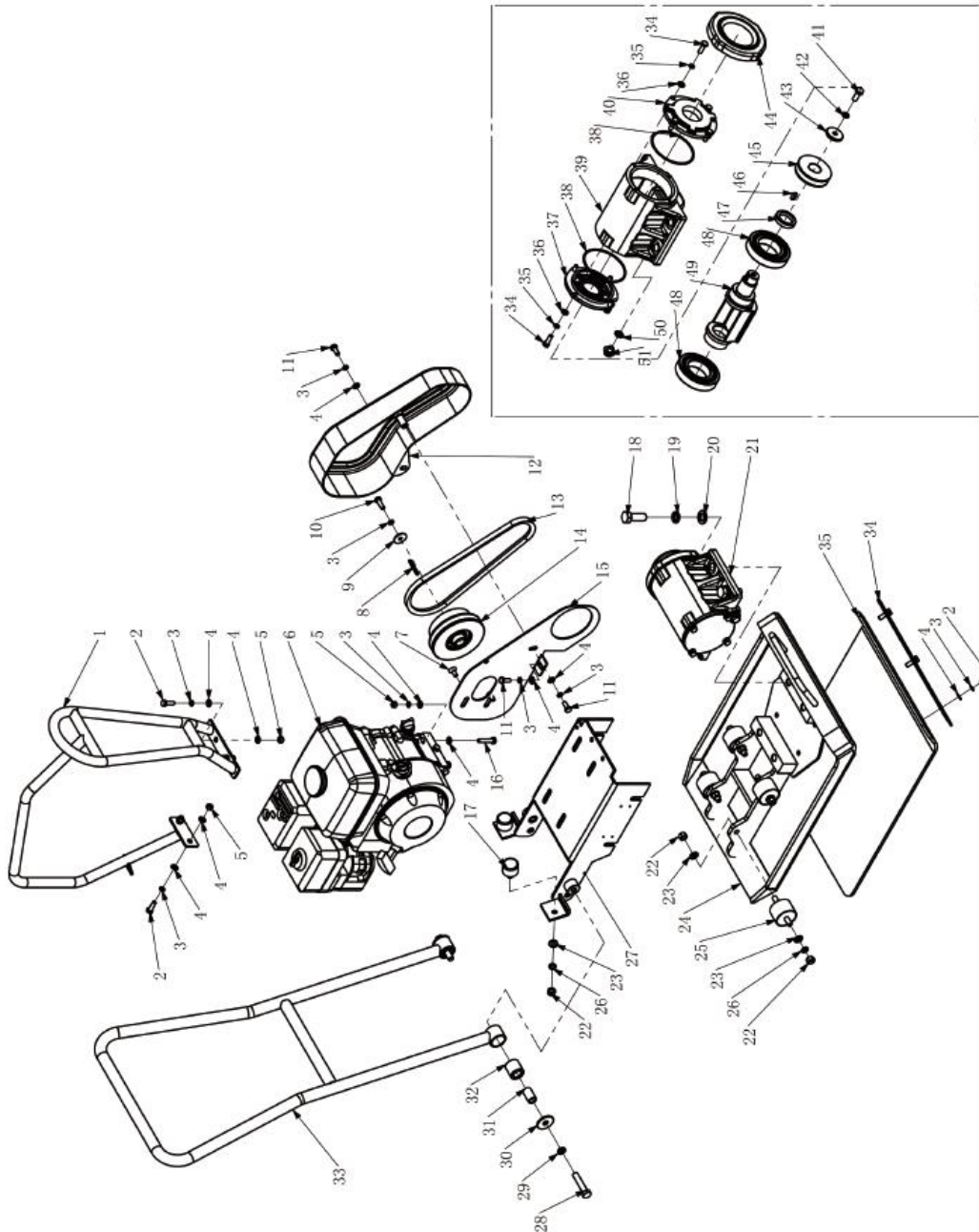
WATER TANK (OPTION)			
S/NO	PART NO	DESCRIPTION	QTY
58	CPC-60-1F	WATER TANK ASSEMBLY	1
59	CPC-60-2E	CAP, WATER TANK	1
60	CPC-60-3E	BOLT M10×30	1
61	CPC-60-4E	WASHER 10.5×21×2	2
62	CPC-60-5E	NYLON NUT M10	1
63	CPC-60-6E	WASHER 14.5×30×1.6	1
64	CPC-60-7E	PACKING 13×28×2	1
65	CPC-60-8E	COCK	1
66	CPC-60-9E	SPRINKLING PIPY	1
67	CPC-60-10E	PIPE HOLDER LEFT	1
68	CPC-60-11E	PIPE HOLDER RIGHT	1
69	CPC-60-12E	PLANGE BOLT M8×25	2

13. SPARE PARTS LIST BTPC60H



Part No.	Parts Name	Drawing No/Standard No.
1	engine frame	101237-01001
2	Plain Washer $\varnothing 13$;s=3; DIN 9021	101237-01020
3	hexagon head bolt M12 x 60 x 30;DIN931;8.8	101237-01021
4	parallel key DIN 6885-B-6x6 x 36	101237-01023
5	Plain Washer $\varnothing 8,4$;s=2;DIN 9021	101237-01030
6	hexagon head blot M8 x 20;DIN 933	101237-01031
7	Plain Washer $\varnothing 8,4$;s=1,6;DIN 125-1A	101237-01033
8	belt AVX 13-762Li;CR;DIN7753	101237-01034
9	belt cover	101237-01035
10	compactor cover assembly	101237-01036
11	hexagon head bolt M6 x 35 DIN933;4.8 class	101237-01046
12	Plain Washer $\varnothing 6,4$;s=1,6; DIN 125 - 1A	101237-01047
13	casters holder	101237-01048
14	Hexagon Nut M6 DIN 934	101237-01050
15	engine support assembly	101237-01070
16	Hexagon Nut M10;DIN 934	101237-01073
17	Spring washer $\varnothing 10,2$;s=2,2 DIN 127-B	101237-01074
18	Plain washer $\varnothing 10,5$;s=2;DIN 125-1A;140HV	101237-01075
19	vibroisolator BFR-BF2074	101237-01076
20	compactor plate assembly	101237-01083
21	hexagon head special bolt M10 x 25	101237-01092
22	Plain Washer $\varnothing 10,5$;s=2,5;DIN 9021	101237-01093
23	pulley	101237-01094
24	Plain Washer $\varnothing 17$;DIN 433 200HV	101237-01102
25	hexagon head bolt M16x45;DIN 933;10.9 class	101237-01103
26	parallel key DIN 6885-AB- 8x7 x 18	101237-01104
27	casters assembly	101237-01111
28	Spring washer $\varnothing 12,2$;s=2,5;DIN 127-B	101237-01112
29	Spring washer $\varnothing 8,1$;s=2; DIN 127-B	101237-01113
30	mounting strip	101237-01114
31	Wing nut M8 DIN 315	101237-01115
32	hexagon head bolt M8 x 35 DIN933;8.8cl	101237-01116
33	Spring washer $\varnothing 16,2$;s=3,5; DIN 127-B	101237-01117
34	compactor rubber thickness 5mm	101248-01024
35	handle assembly	101539-01005
36	clutch 130/20	101539-01008
37	vibrator assembly	101539-01021
38	vibroisolator BB-35/35-B	101539-01030
39	water tank assembly (option)	101539-01031

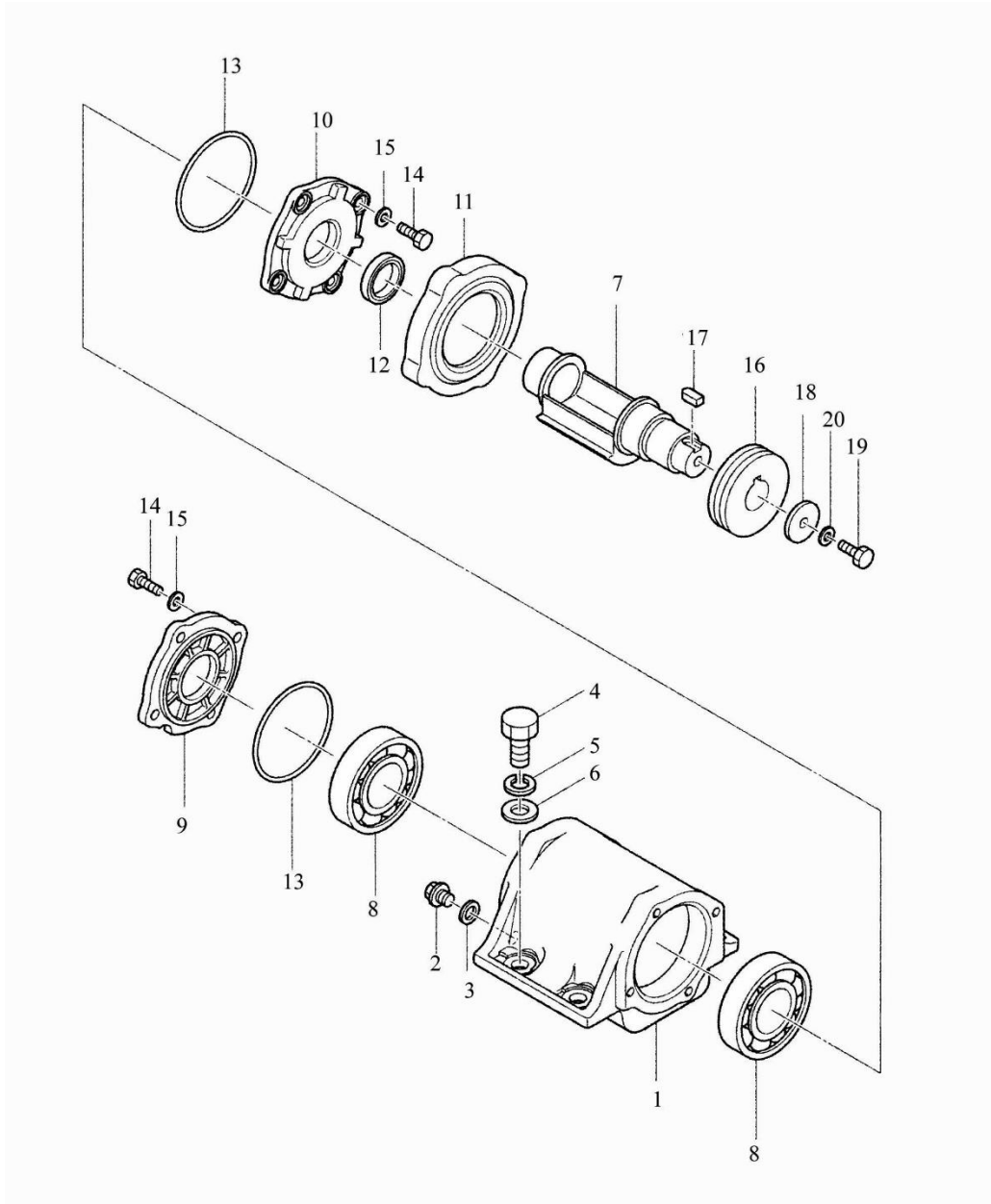
14. SPARE PARTS LIST BTPC70H



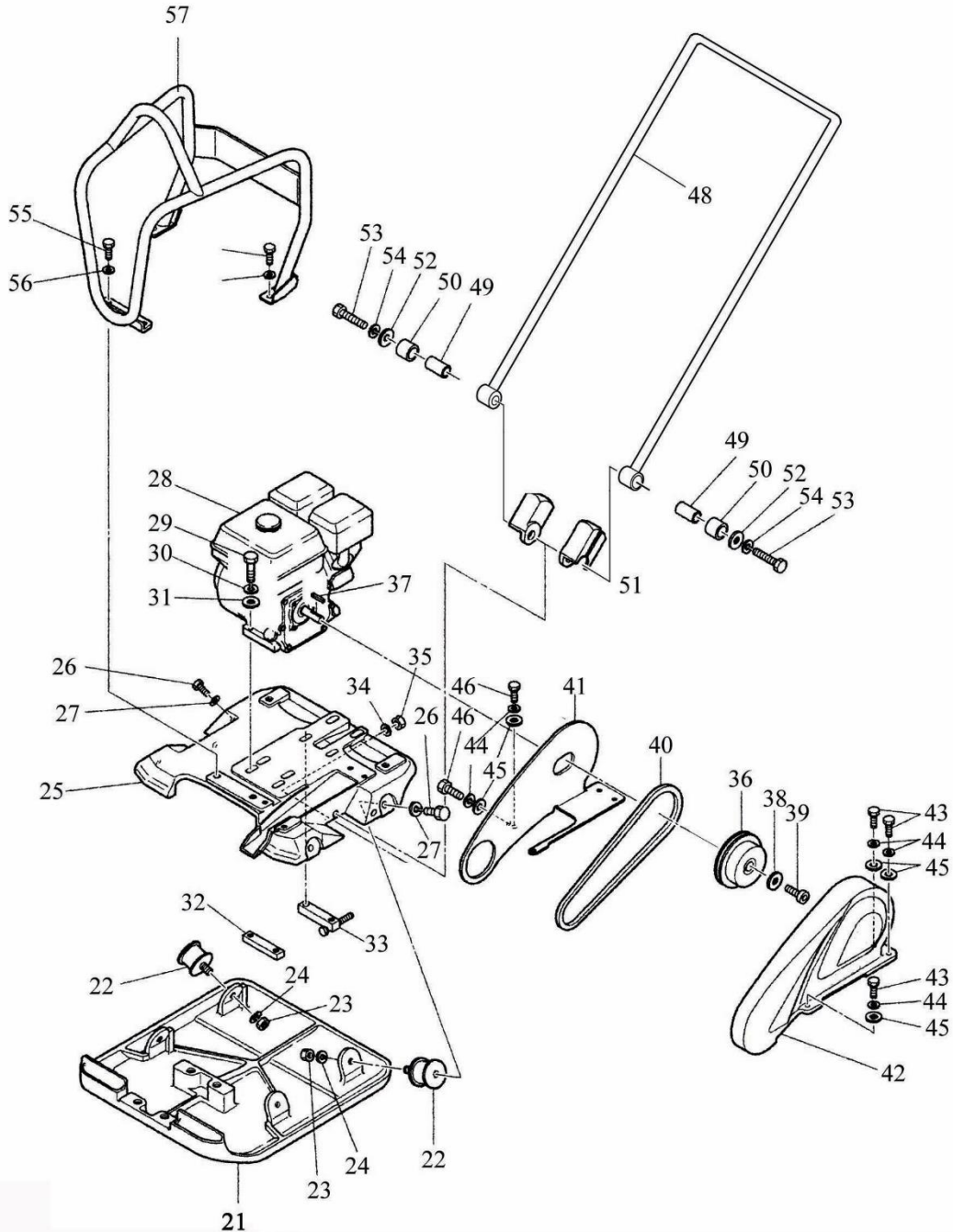
No.	Description	Drawing No.	Qty
1	Frame	2202-10000-1	1
2	Bolt M8	15080250	7
3	Washer M8	12080000	15
4	Washer M8	11080000	22
5	Lock Nut M8	13080001	8
6	Engine	25160005	1
7	Allen Screw	16082004Y	2
8	Key	20000000	1
9	Washer M8	11083003	1
10	Bolt 5/16	15080300Y	1
11	Bolt M8	15080200	3
12	Belt Cover	2202-05000-4	1
13	Belt	27AV13X904La	1
14	Clutch Assy.	2302-10100-1	1
15	Belt Cover Plate	2202-00009-2	1
16	Bolt M8	15080400	4
17	Shock Absorber	2202-00004-4	2
18	Bolt M16	15160450	4
19	Spring Washer M16	12160000	4
20	Washer M16	11160000	4
21	Viberating Case Assy.	2204-05000-1	1
22	Lock Nut M10	13100001	10
23	Washer M10	11100000	10
24	Viberating Plate	2206-01000-3	1
25	Shock Absorber	2202-00002-4	4
26	Spring Washer M10	12100000	6
27	Engine Base	2202-07000-3	1
28	Bolt M12	15120601	2
29	Spring Washer M12	12120000	2

30	Washer M12	11124003	2
31	Bushing	2202-00001-1	2
32	Rubber Bushing	2202-00003-4	2
33	Handle	2205-08000-3	1
34	Plate, Rubber Mat	2206-00001-2	1
35	Rubber Mat	2206-02001-1	1
36	Bolt M8	15080250	8
37	Washer M8	12080000	8
38	Washer M8	11080000	8
39	Left Cover	2202-20005-1	1
40	O-Ring	261053.1	2
41	Viberating Case	2202-20002-1	1
42	Right Cover	2202-20006-1	1
43	Bolt M10	15100250	1
44	Spring Washer M10	12100000	1
45	Washer M10	11104005	1
46	Dust Cover	2202-20004-4	1
47	Pulley	2202-20003-1	1
48	Key	20080719A	1
49	Oil Sealing	2535481002	1
50	Bearing	216211C3P6	2
51	Rotator	2204-05001-4	1

15. SPARE PARTS LIST BTPC95/1 10

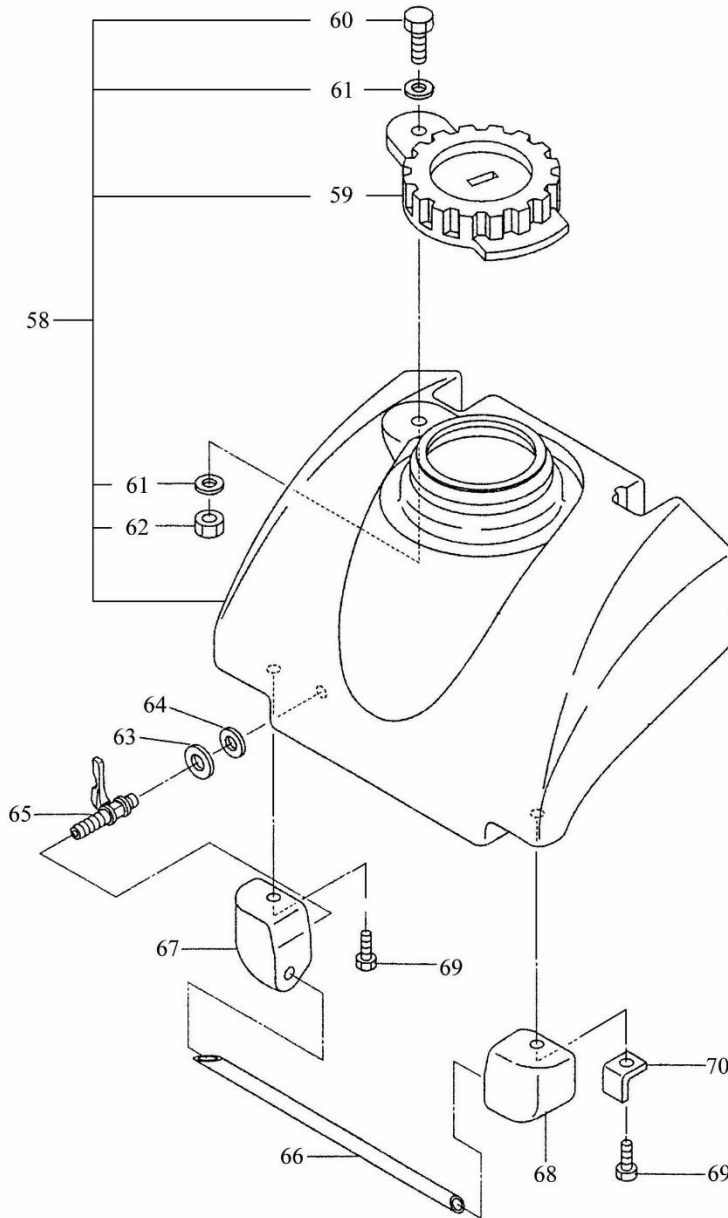


S/NO	PART NO	DESCRIPTION	QTY
A	CPC-95-A	VIBRATOR ASSEMBLY	1
1	CPC-95-1A	VIBRATING CASE	1
2	CPC-95-2A	PLUG	1
3	CPC-95-3A	PACKING	1
4	CPC-95-4A	BOLT M16×40T	4
5	CPC-95-5A	SW M16	4
6	CPC-95-6A	PW M16	4
7	CPC-95-7A	VIBRATOR	1
8	CPC-95-8A	BEARING 6211	2
9	CPC-95-9A	CASE RIGHT COVER	1
10	CPC-95-10A	CASE LEFT COVER	1
11	CPC-95-11A	BELT COVER GUARD	1
12	CPC-95-12A	OIL SEAL	1
13	CPC-95-13A	O-RING G-100	2
14	CPC-95-14A	BOLT M8×25T	8
15	CPC-95-15A	SW M8	8
16	CPC-95-16A	PULLEY	1
17	CPC-95-17A	KEY 7×7×19	1
18	CPC-95-18A	WASHER	1
19	CPC-95-19A	BOLT M10×25T	1
20	CPC-95-20A	SW M10	1



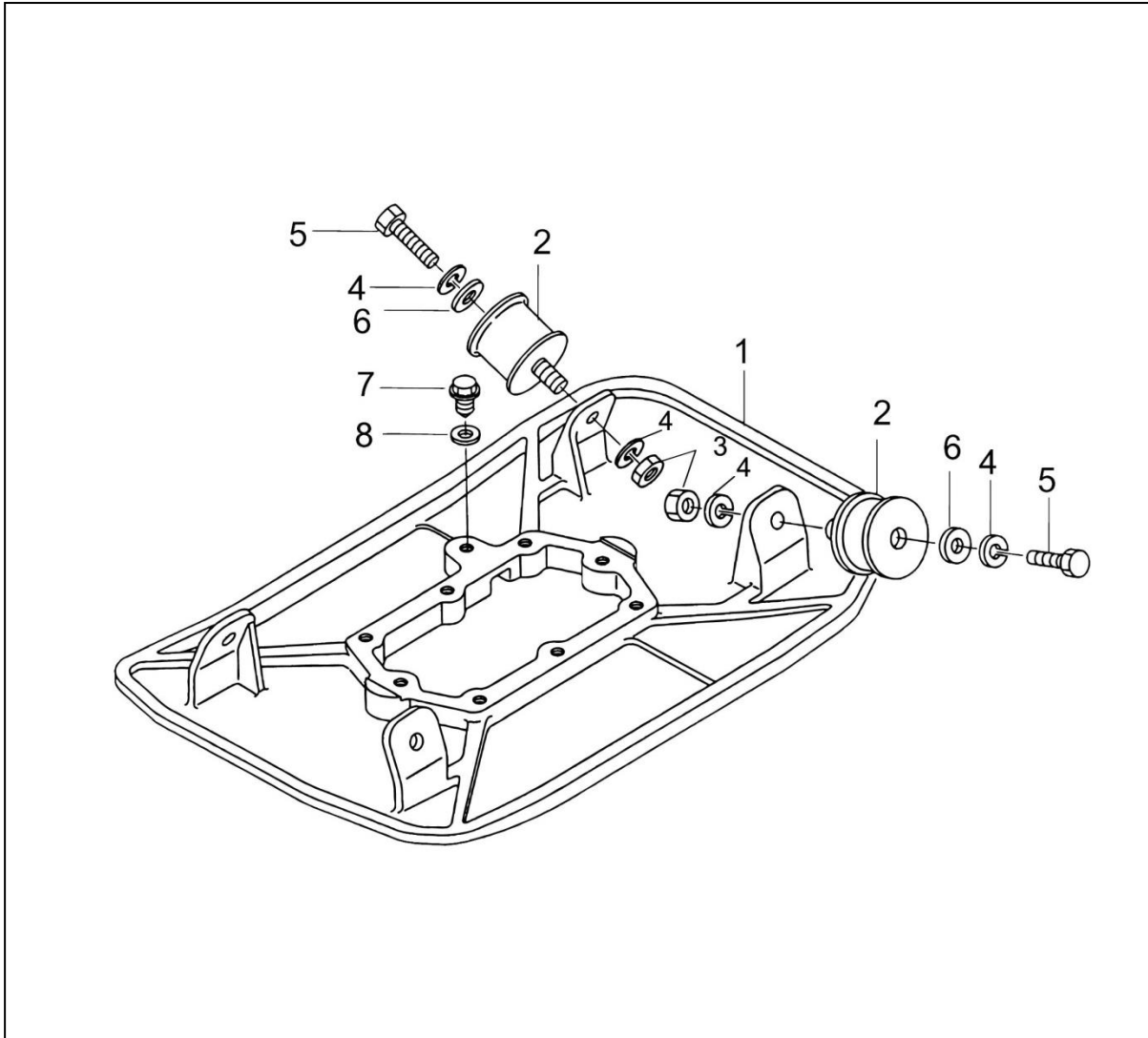
S/NO	PART NO	DESCRIPTION	QTY
21	CPC-95-1B	VIBRATING PLATE	1
22	CPC-95-2B	SHOCK ABSORBER	4
23	CPC-95-3B	NUT M10	4
24	CPC-95-4B	SW M10	4
25	CPC-95-5B	BASE	1
26	CPC-95-6B	BOLT M10×25T	4
27	CPC-95-7B	SW M10	4
28	CPC-95-8B	ENGINE HONDA GX160	1
29	CPC-95-9B	BOLT M8×45T	4
30	CPC-95-10B	SW M8	4
31	CPC-95-11B	PW M8	4
32	CPC-95-12B	ENGINE NUT	1
33	CPC-95-13B	ENGINE NUT	1
34	CPC-95-14B	PW M8	1
35	CPC-95-15B	NYLON NUT M8	1
36	CPC-95-16B	CLUTCH ASSEMBLY	1
37	CPC-95-17B	KEY	1
38	CPC-95-18B	WASHER	1
39	CPC-95-19B	SOCKET HEAD BOLT	1
40	CPC-95-20B	BELT	1
41	CPC-95-21B	BASE FOR BELT	1
42	CPC-95-22B	BELT COVER	1
43	CPC-95-23B	BOLT M8×25T	4
44	CPC-95-24B	SW M8	5
45	CPC-95-25B	PW M8	5
46	CPC-95-26B	BOLT M8×20T	1
47	CPC-95-27B	COLLAR 19.05-25-15.6	1
48	CPC-95-28B	HANDLE	1
49	CPC-95-29B	COLLAR 13-20-44	2
50	CPC-95-30B	RUBBER 20×32×28.5	2
51	CPC-95-31B	HANDLE STOPPER	2
52	CPC-95-32B	WASHER 12.5×35×4.5	2

53	CPC-95-33B	BOLT M12×65T	2
54	CPC-95-34B	SW M12	2
55	CPC-95-35B	BOLT M10×25T	4
56	CPC-95-36B	SW M10	4
57	CPC-95-37B	GUARD HOOK	1
58	CPC-95-38B	THROTTLE LEVER ASSY	1
59	CPC-95-39B	THROTTLE WIRE	1

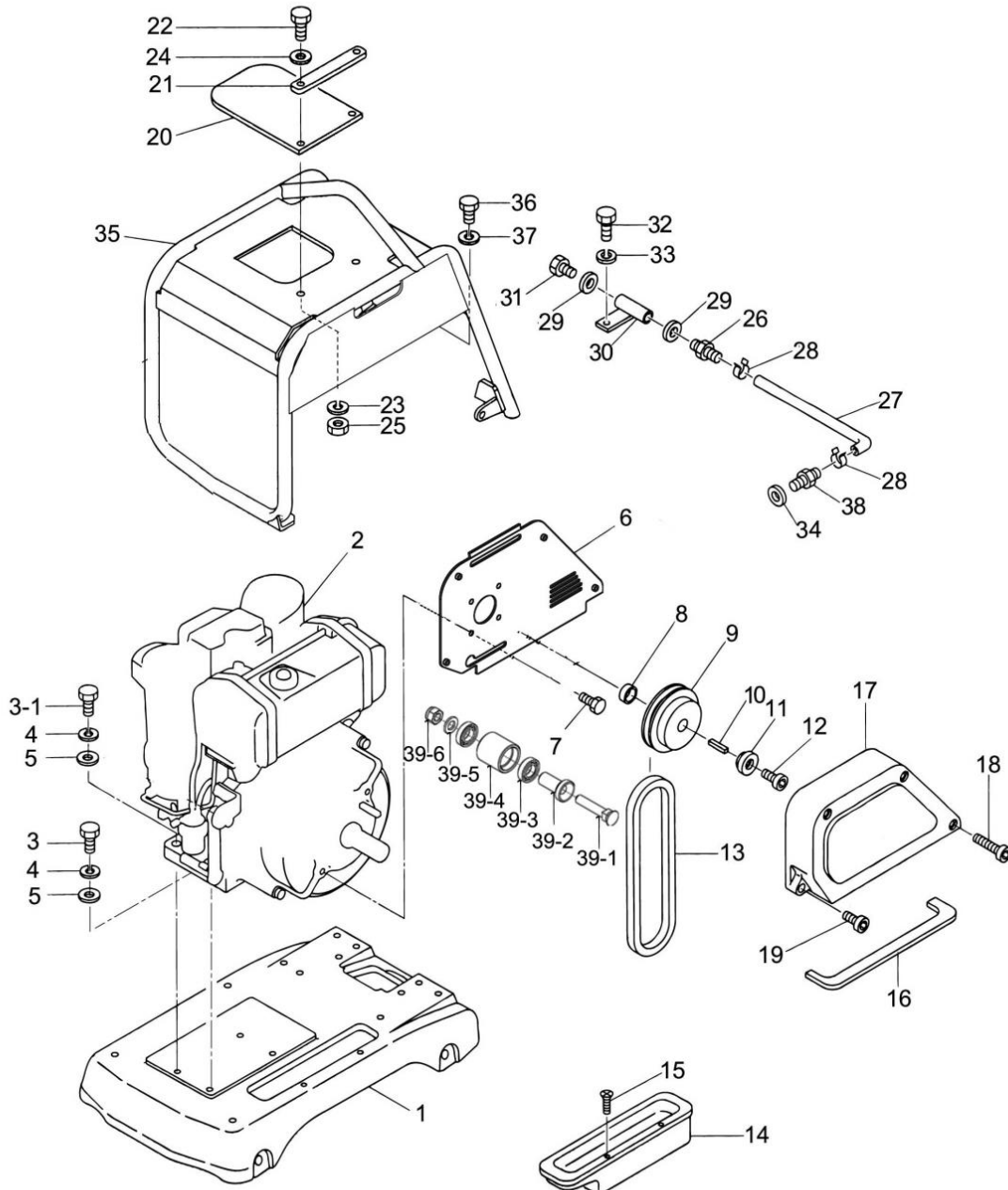


S/NO	PART NO	DESCRIPTION	QTY
58	CPC-95-1C	WATER TANK ASSEMBLY	1
59	CPC-95-1-1C	CAP, WATER TANK	1
60	CPC-95-1-2C	BOLT M10×30	1
61	CPC-95-1-3C	WASHER 10.5×21×2	2
62	CPC-95-1-4C	NYLON NUT M10	1
63	CPC-95-2C	WASHER 14.5×30×1.6	1
64	CPC-95-3C	PACKING 13×28×2	1
65	CPC-95-4C	COCK	1
66	CPC-95-5C	SPRINKLING PIPY	1
67	CPC-95-6C	PIPE HOLDER LEFT	1
68	CPC-95-7C	PIPE HOLDER RIGHT	1
69	CPC-95-8C	PLANGE BOLT M8×25	2
70	CPC-95-9C	STAY, PIPE HOLDER	1

16. SPARE PARTS LIST BTPC160

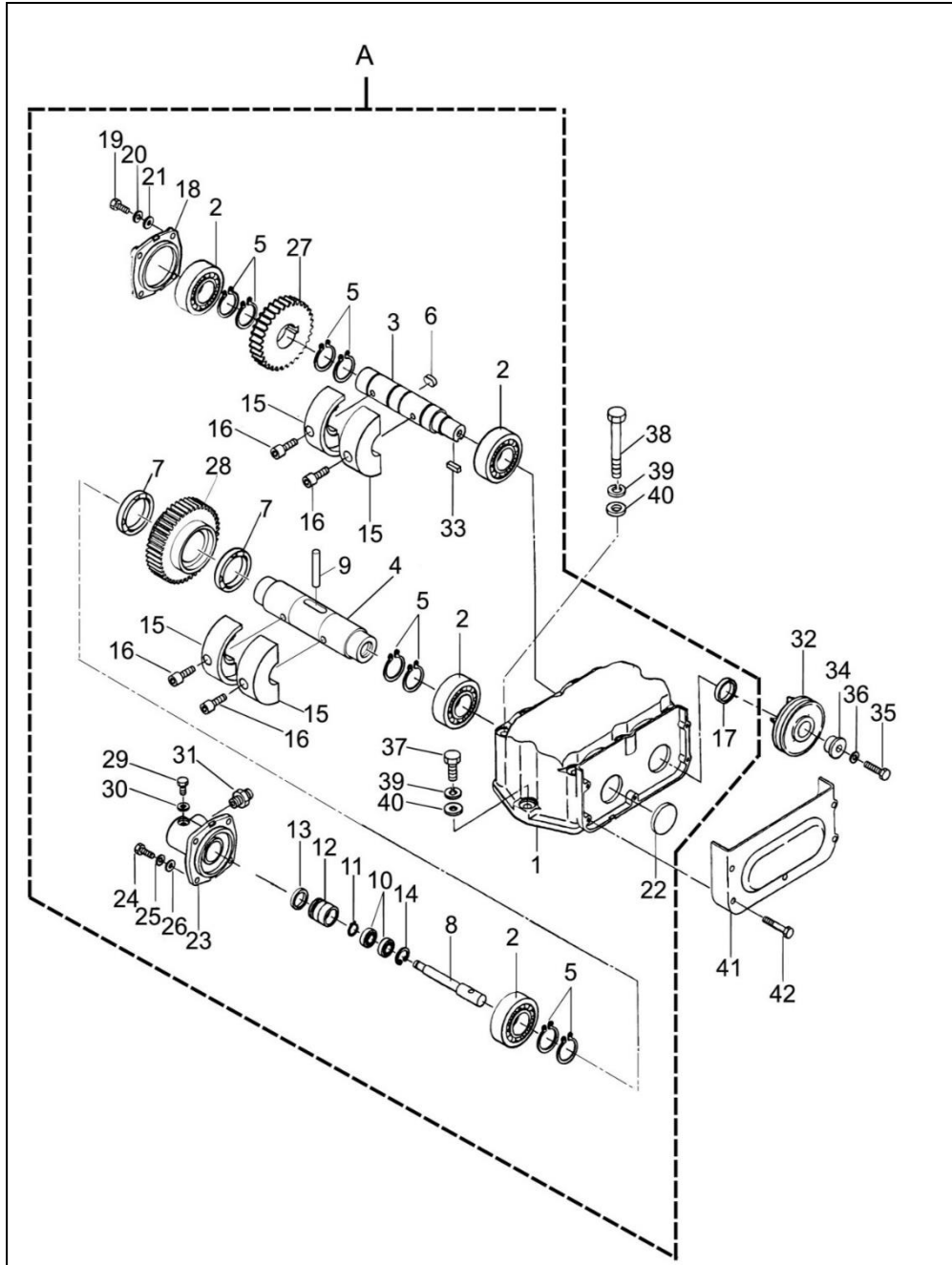


VIBRATING PLATE			
S/NO	PART NO	DESCRIPTION	QTY
1	CPC-160-1A	VIBRATING PLATE	1
2	CPC-160-2A	SHOCK ABSORBER	4
3	CPC-160-3A	NUT M12	4
4	CPC-160-4A	SW M12	8
5	CPC-160-5A	BOLT M12X35T	4
6	CPC-160-6A	WASHER 12X40X4.5	4
7	CPC-160-7A	OIL GAUGE M16X1.5	1
8	CPC-160-8A	PACKING M16	1



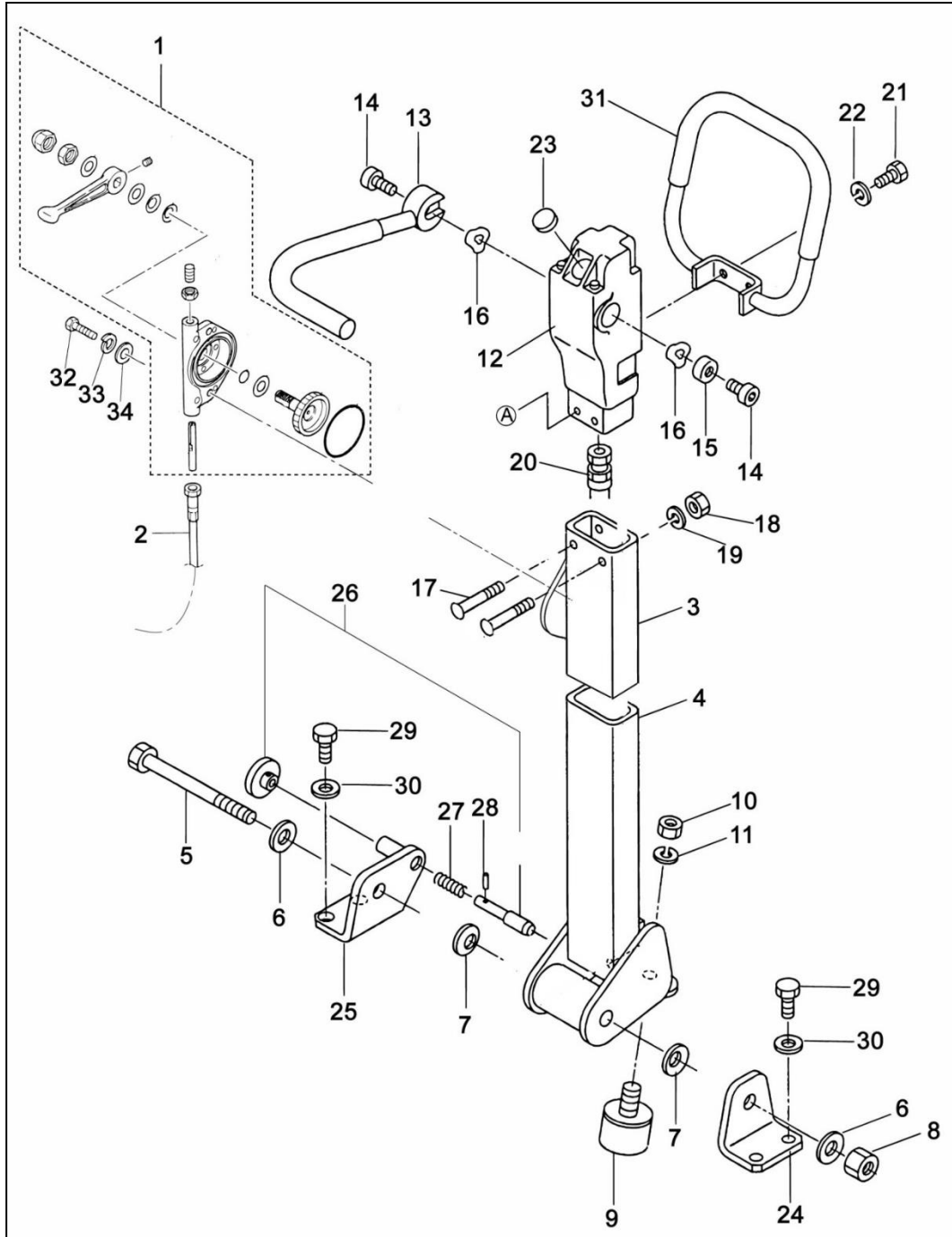
BODY			
S/NO	PART NO	DESCRIPTION	QTY
1	CPC-160-1B	BASE	1
2	CPC-160-2B	ENGINE	1
3	CPC-160-3B	BOLT M8X40T	4
4	CPC-160-4B	SW M8	4
5	CPC-160-5B	PW M8	4
6	CPC-160-6B	BELT COVER PLATE	1
	CPC-160D-6B	BELT COVER PLATE - DIESEL	1
7	CPC-160-7B	BOLT M8X20T	4
8	CPC-160-8B	SPACER	1
9	CPC-160-9B	CLUTCH ASSEMBLY	1
	CPC-160D-9B	CLUTCH ASSEMBLY - DIESEL	1
10	CPC-160-10B	KEY 5X5X30	1
11	CPC-160-11B	CLUTCH WASHER	1
12	CPC-160-12B	SOCKET HEAD BOLT M8X30T	1
13	CPC-160-13B	V-BELT A867Li	1
	CPC-160D-13B	V-BELT A904La	1
14	CPC-160-14B	DUST COVER	1
15	CPC-160-15B	FLAT HEAD SCREW M6X16T	2
16	CPC-160-16B	SPONGE, DUST COVER	1
17	CPC-160-17B	BELT COVER OUT	1
	CPC-160D-17B	BELT COVER OUT - DIESEL	1
18	CPC-160-18B	SOCKET HEAD BOLT M8X60T	3
19	CPC-160-19B	SOCKET HEAD BOLT M8X30T	1
20	CPC-160-20B	RUBBER COVER	1
21	CPC-160-21B	PLATE, RUBBER COVER	1
22	CPC-160-22B	BOLT M6X25T	2
23	CPC-160-23B	SW M6	2
24	CPC-160-24B	PW M6	4
25	CPC-160-25B	NYLON NUT M6	2
27	CPC-160-27B	DRAIN HOSE	1
28	CPC-160-28B	HOSE CLAMP	2

29	CPC-160-29B	GASKET 10X18.1,5	1
30	CPC-160-30B	PLUG	1
31	CPC-160-31B	JOINT BLOCK M10X1.0	1
32	CPC-160-32B	BOLT M8X20T	1
33	CPC-160-33B	SW M8	1
34	CPC-160-34B	SEAL WASHER	1
35	CPC-160-35B	GUARD FRAME	1
	CPC-160D-35B	GUARD FRAME (DIESEL)	1
36	CPC-160-36B	BOLT M10X25T	4
37	CPC-160-37B	SW M10	4
38	CPC-160-38B	UNION	1



VIBRATOR			
S/NO	PART NO	DESCRIPTION	QTY
C	CPC-160-C	VIBRATOR ASSEMBLY	1
1	CPC-160-1C	VIBRATING CASE	1
2	CPC-160-2C	ROLLER BEARING NJ307EM	1
		ROLLER BEARING NJ307C4	3
3	CPC-160-3C	ROTARY SHAFT, DRIVE	1
4	CPC-160-4C	ROTARY SHAFT, DRIVEN	1
5	CPC-160-5C	STOP RING S-35	8
6	CPC-160-6C	KEY 10X8X19	1
7	CPC-160-7C	BEARING 6907	2
8	CPC-160-8C	PISTON ROD	1
9	CPC-160-9C	PIN 8X50	1
10	CPC-160-10C	BEARING 6000ZZ	2
11	CPC-160-11C	STOP RING S-10	1
12	CPC-160-12C	PISTON, 22.4D	1
13	CPC-160-13C	PACKING 22.4X30X4.8	1
14	CPC-160-14C	STOP RING R-26	1
15	CPC-160-15C	ECCENTRIC ROTATOR	4
16	CPC-160-16C	SOCKET HEAD BOLT M10X30T	4
17	CPC-160-17C	OIL SEAL SC-28458	1
18	CPC-160-18C	BEARING COVER	1
19	CPC-160-19C	BOLT M8X25T	4
20	CPC-160-20C	SW M8	4
21	CPC-160-21C	PW M8	4
22	CPC-160-22C	SEAL CAP	1
23	CPC-160-23C	CYLINDER	1
24	CPC-160-24C	BOLT M8X25T	4
25	CPC-160-25C	SW M8	4
26	CPC-160-26C	PW M8	4
27	CPC-160-27C	GEAR (DRIVE)	1
28	CPC-160-28C	GEAR (DRIVEN)	1
29	CPC-160-29C	BOLT M8X16T	1

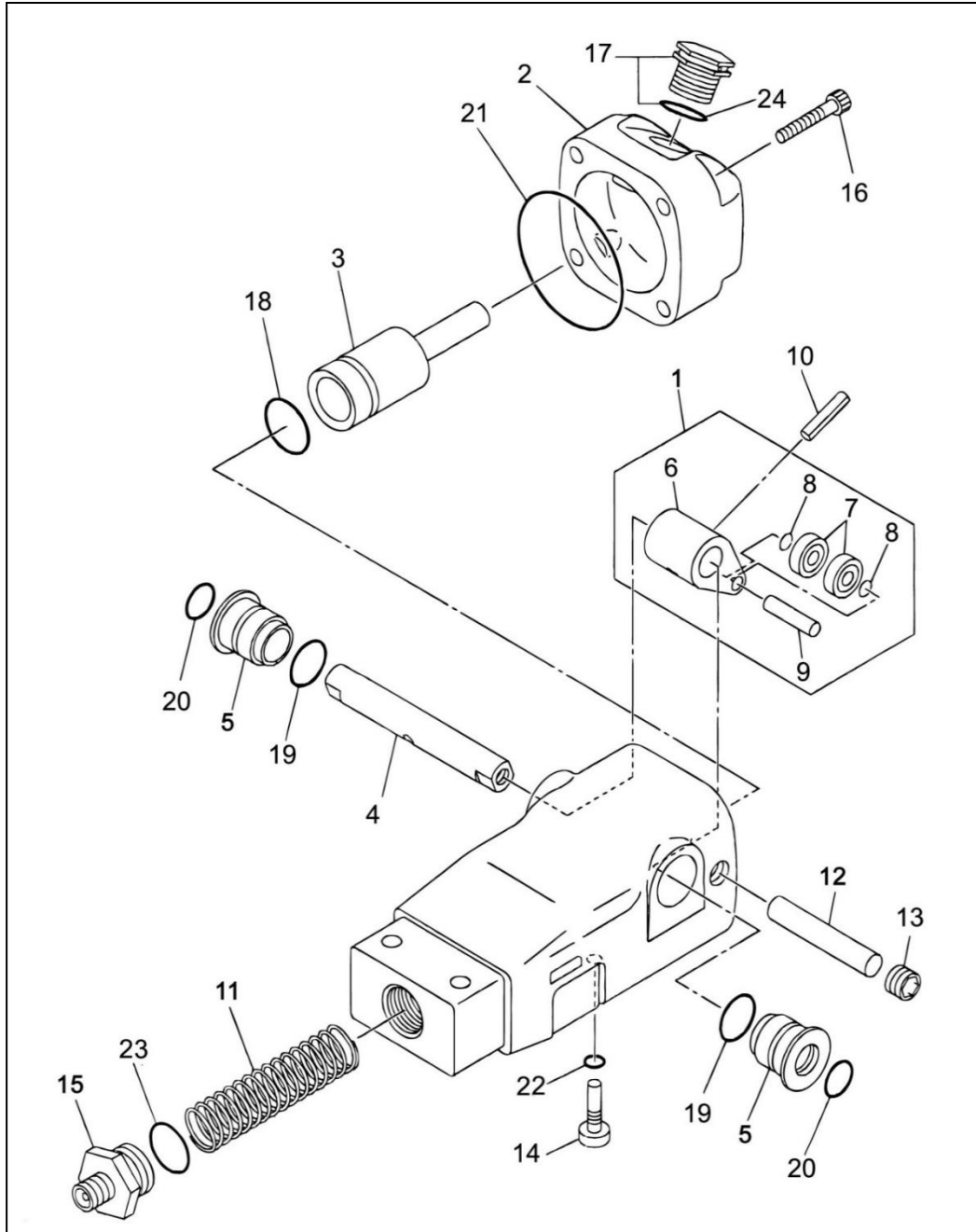
30	CPC-160-30C	COPPER PACKING Φ 8	1
31	CPC-160-31C	CONNECTOR	1
32	CPC-160-32C	PULLEY	1
33	CPC-160-33C	KEY 8X7X25	1
34	CPC-160-34C	WASHER	1
35	CPC-160-35C	BOLT M8X40	1
36	CPC-160-36C	SW M8	1
37	CPC-160-37C	BOLT M12X45T	2
38	CPC-160-38C	BOLT M12X120T	6
39	CPC-160-39C	SW M12	8
40	CPC-160-40C	PW M12	8
41	CPC-160-41C	BELT COVER (LOWER)	1
42	CPC-160-42C	SOCKET HEAD BOLT M6X45T	5



CONTROL

S/NO	PART NO	DESCRIPTION	QTY
1	CPC-160-1D	THROTTLE LEVER ASSEMBLY	1
2	CPC-160-2D	THROTTLE WIRE	1
3	CPC-160-3D	HANDLE UPPER AY	1
	CPC-160D-3D	HANDLE AY	1
4	CPC-160-4D	HANDLE LOWER AY	1
5	CPC-160-5D	BOLT M16X150T	1
6	CPC-160-6D	PW M16	2
7	CPC-160-7D	CONICAL SPRING WASHER M16	4
8	CPC-160-8D	NUT M16	2
9	CPC-160-9D	SHOCK ABSORBER, STOPPER	1
10	CPC-160-10D	NUT M10	1
11	CPC-160-11D	PACKING M10	1
12	CPC-160-12D	HAND PUMP ASSEMBLY	1
13	CPC-160-13D	TRAVEL LEVER	1
14	CPC-160-14D	SOCKET HEAD BOLT M8X25T	2
15	CPC-160-15D	COLLAR	1
16	CPC-160-16D	WAVE WASHER 15.5X20X0.3	4
17	CPC-160-17D	PUMP HOLDER M8X60T	2
18	CPC-160-18D	NYLON NUT M8	2
19	CPC-160-19D	SW, PACKINGX2 M8	2
20	CPC-160-20D	OIL HOSE	1
21	CPC-160-21D	BOLT M8X16T	2
22	CPC-160-22D	SW, PACKING M8	2
24	CPC-160-24D	HANDLE BRACKET (L)	1
25	CPC-160-25D	HANDLE BRACKET (R)	1
26	CPC-160-26D	STOPPER	1
27	CPC-160-27D	SPRING	1
28	CPC-160-28D	SPRING PIN 2X16	1
29	CPC-160-29D	BOLT M10X30T	4
30	CPC-160-30D	SW, PACKING M12	4
31	CPC-160-31D	HANDLE GRIP	1

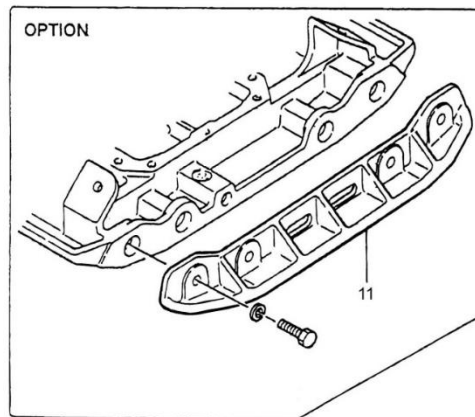
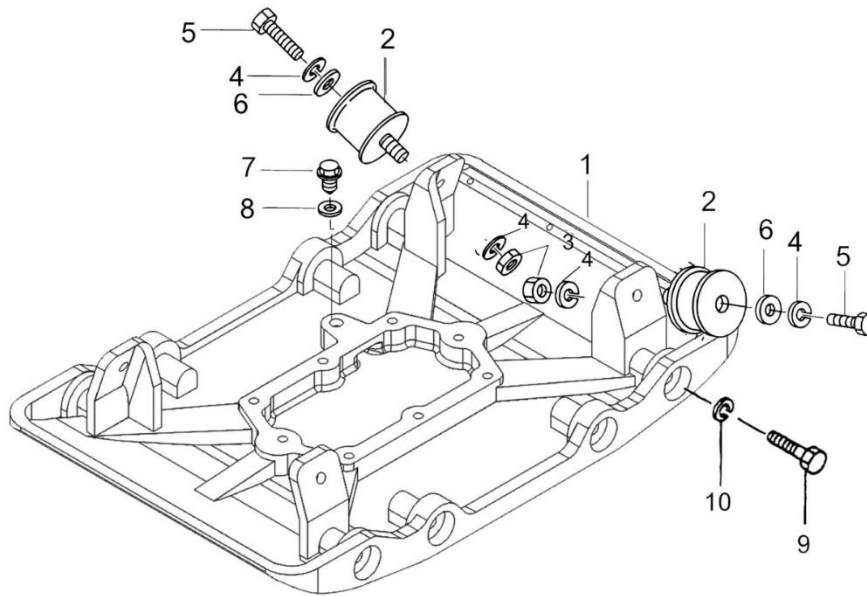
32	CPC-160-32D	BOLT M6X25T	2
33	CPC-160-33D	SW M6	2
34	CPC-160-34D	PW M6	2



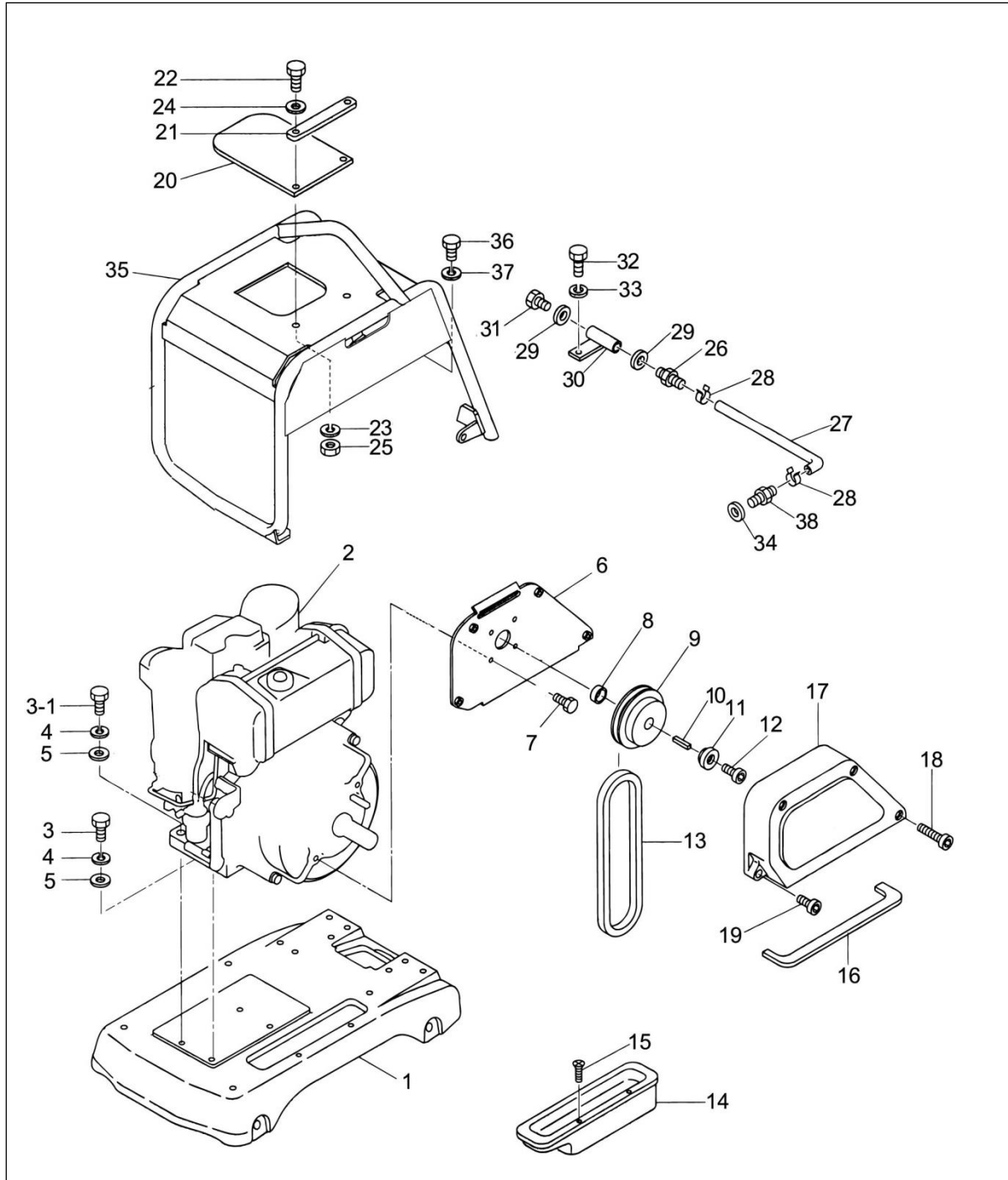
HAND PUMP ASSEMBLY

S/NO	PART NO	DESCRIPTION	QTY
1	CPC-160-1E	CAN COMP (PUMP)	1
2	CPC-160-2E	COVER (HAND PUMP)	1
3	CPC-160-3E	PISTON CP	1
4	CPC-160-4E	CONTROL SHAFT (PUMP)	1
5	CPC-160-5E	BUSH	2
6	CPC-160-6E	CAN (PUMP)	1
7	CPC-160-7E	BEARING 607ZZ	2
8	CPC-160-8E	SPACER	2
9	CPC-160-9E	PIN 7X30	1
10	CPC-160-10E	SPRING PIN 6X25	1
11	CPC-160-11E	SPRING (PUMP)	1
12	CPC-160-12E	STOPPER (PUMP) 12X60	1
13	CPC-160-13E	PLUG	1
14	CPC-160-14E	STOP PLUG M8X30	1
15	CPC-160-15E	HOSE JOINT	1
16	CPC-160-16E	SOCKET HEAD BOLT M6X40T	4
17	CPC-160-17E	BEREATHER (PUMP)	1
18	CPC-160-18E	O-RING 22.4X30X4.8	1
19	CPC-160-19E	O-RING 24X2.5	2
20	CPC-160-20E	O-RING 19X2.5	2
21	CPC-160-21E	O-RING 70X2	1
22	CPC-160-22E	O-RING Φ 8	1
23	CPC-160-23E	O-RING Φ 25	1
24	CPC-160-24E	O-RING Φ 20	1

17. SPARE PARTS LIST BTPC240

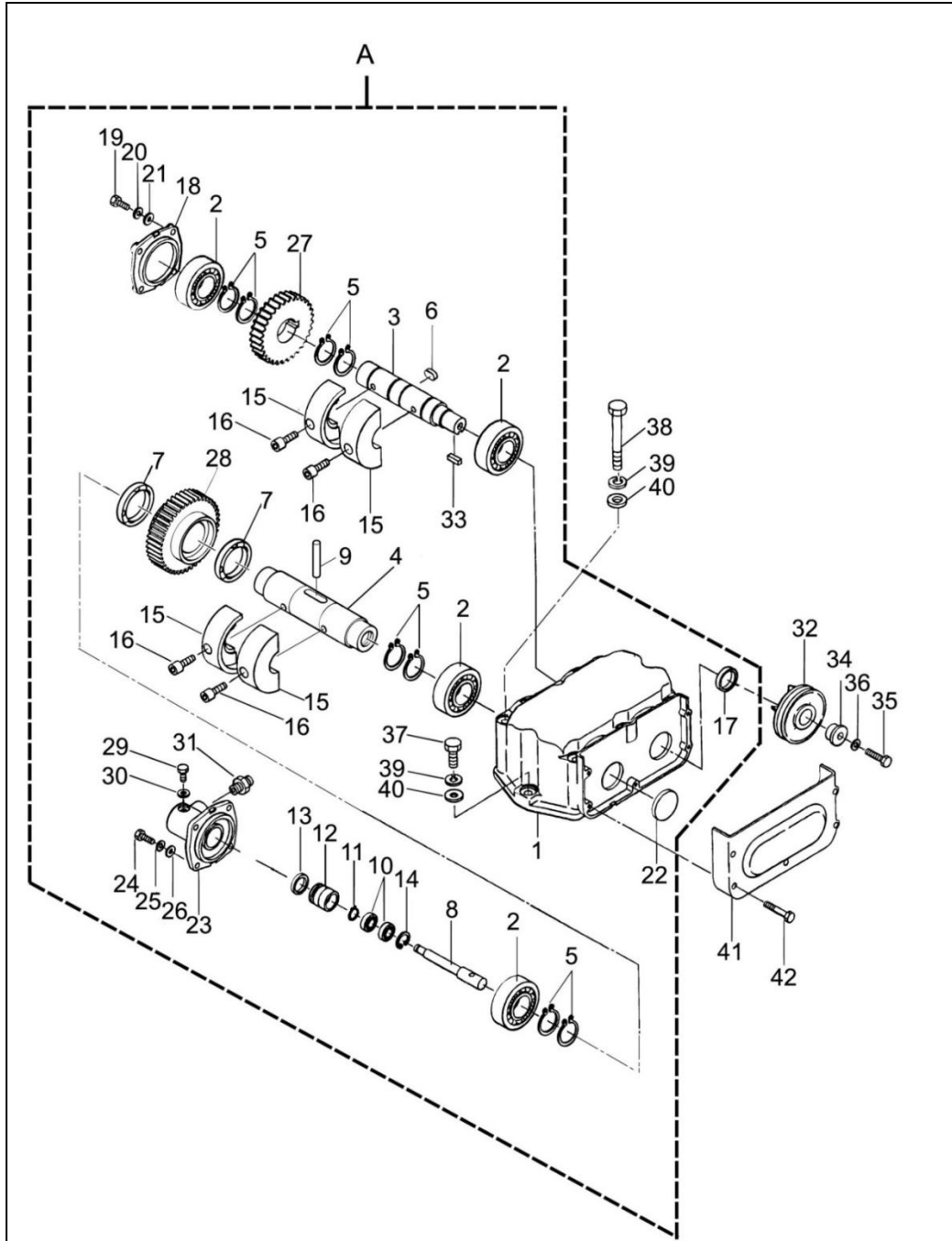


VIBRATING PLATE			
S/NO	PART NO	DESCRIPTION	QTY
1	CPC-240-01A	VIBRATING PLATE	1
2	CPC-240-02A	SHOCK ABSORBER	4
3	CPC-240-03A	LOCK NUT M12	4
4	CPC-240-04A	SW M12	8
5	CPC-240-05A	BOLT M12X35T	4
6	CPC-240-06A	WASHER 12X40X4.5	4
7	CPC-240-07A	OIL GAUGE M16X1.5	1
8	CPC-240-08A	PACKING M16	1
9	CPC-240-09A	BOLT	8
10	CPC-240-10A	SW & PACKING M12	8
11	CPC-240-11A	EXTENTION PLATE	2



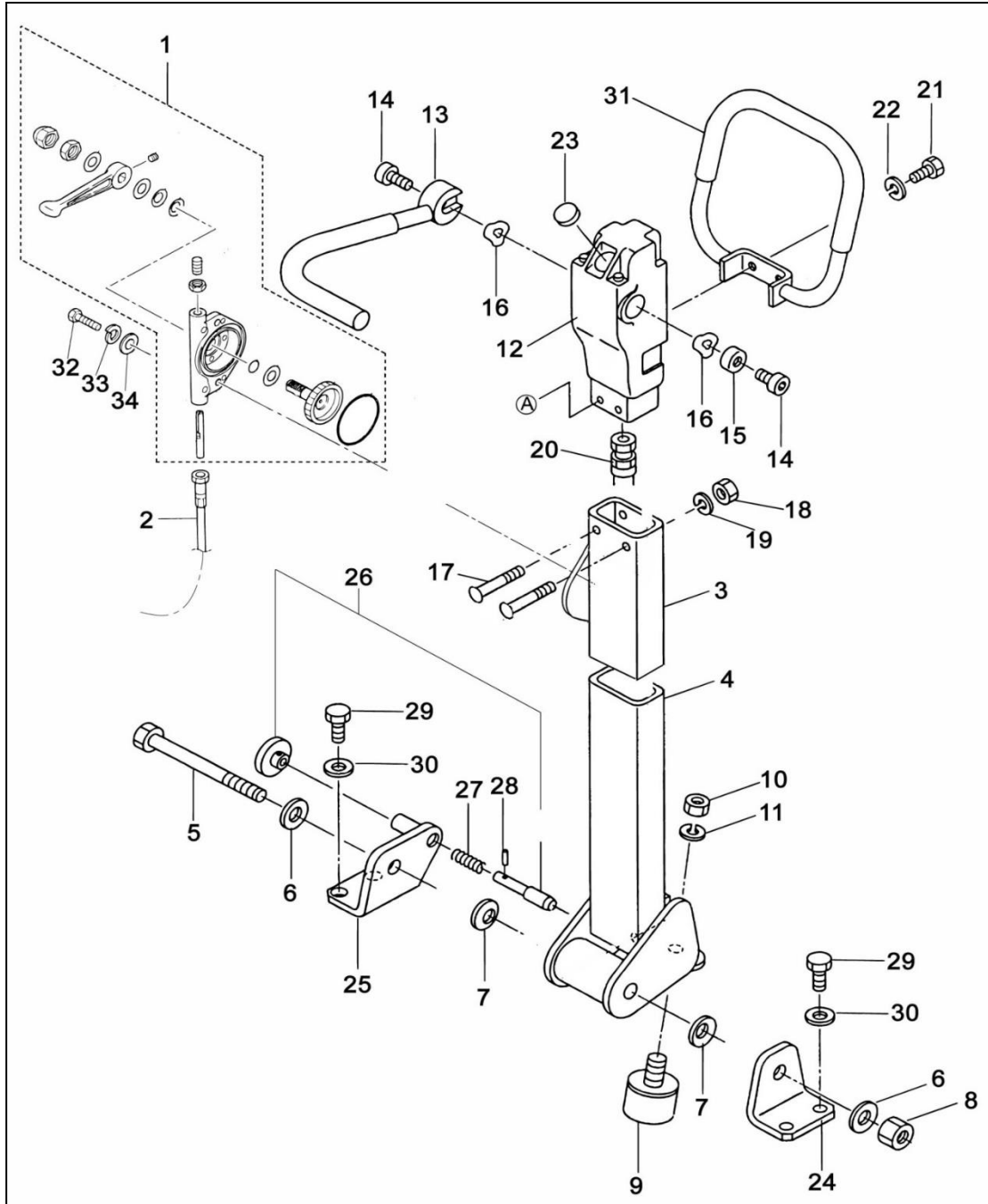
BODY			
S/NO	PART NO	DESCRIPTION	QTY
1	CPC-240-01B	BASE	1
2	CPC-240-02B	ENGINE	1
3	CPC-240-03B	BOLT M8X40T	4
4	CPC-240-04B	SW M8	4
5	CPC-240-05B	PW M8	4
6	CPC-240-06B	BELT COVER PLATE	1
7	CPC-240-07B	BOLT M8X20T	4
9	CPC-240-09B	CLUTCH ASSEMBLY	1
10	CPC-240-10B	KEY 5X5X30	1
11	CPC-240-11B	CLUTCH WASHER	1
12	CPC-240-12B	SOCKET HEAD BOLT M8X30T	1
13	CPC-240-13B	V-BELT A890	1
14	CPC-240-14B	DUST COVER	1
15	CPC-240-15B	FLAT HEAD SCREW M6X16T	2
16	CPC-240-16B	SPONGE, DUST COVER	1
17	CPC-240-17B	BELT COVER OUT	1
18	CPC-240-18B	SOCKET HEAD BOLT M8X60T	3
19	CPC-240-19B	SOCKET HEAD BOLT M8X30T	1
20	CPC-240-20B	RUBBER COVER	1
21	CPC-240-21B	PLATE, RUBBER COVER	1
22	CPC-240-22B	BOLT M6X25T	2
23	CPC-240-23B	SW M6	2
24	CPC-240-24B	PW M6	4
25	CPC-240-25B	NYLON NUT M6	2
27	CPC-240-27B	DRAIN HOSE	1
28	CPC-240-28B	HOSE CLAMP	2
29	CPC-240-29B	GASKET 10X18.1,5	1
30	CPC-240-30B	PLUG	1
31	CPC-240-31B	JOINT BLOCK M10X1.0	1
32	CPC-240-32B	BOLT M8X20T	1
33	CPC-240-33B	SW M8	1

34	CPC-240-34B	SEAL WASHER	1
35	CPC-240-35B	GUARD FRAME	1
36	CPC-240-36B	BOLT M10X25T	4
37	CPC-240-37B	SW & PACKING M10	4
38	CPC-240-38B	UNION	1



VIBRATOR			
S/NO	PART NO	DESCRIPTION	QTY
C	CPC-240-C	VIBRATOR ASSEMBLY	1
1	CPC-240-01C	VIBRATING CASE	1
2	CPC-240-02C	ROLLER BEARING NJ307EM	1
		ROLLER BEARING NJ307C4	3
3	CPC-240-03C	ROTARY SHAFT, DRIVE	1
4	CPC-240-04C	ROTARY SHAFT, DRIVEN	1
5	CPC-240-05C	STOP RING S-35	8
6	CPC-240-06C	KEY 10X8X19	1
7	CPC-240-07C	BEARING 6907	2
8	CPC-240-08C	PISTON ROD	1
9	CPC-240-09C	PIN 8X50	1
10	CPC-240-10C	BEARING 6000ZZ	2
11	CPC-240-11C	STOP RING S-10	1
12	CPC-240-12C	PISTON	1
13	CPC-240-13C	PACKING 22.4X30X5	1
14	CPC-240-14C	STOP RING R-26	1
15	CPC-240-15C	ECCENTRIC ROTATOR	4
16	CPC-240-16C	SOCKET HEAD BOLT M10X30T	4
17	CPC-240-17C	OIL SEAL SC-28458	1
18	CPC-240-18C	BEARING COVER	1
19	CPC-240-19C	BOLT M8X25T	4
20	CPC-240-20C	SW M8	4
21	CPC-240-21C	PW M8	4
22	CPC-240-22C	SEAL CAP	1
23	CPC-240-23C	CYLINDER	1
24	CPC-240-24C	BOLT M8X25T	4
25	CPC-240-25C	SW M8	4
26	CPC-240-26C	PW M8	4
27	CPC-240-27C	GEAR (DRIVE)	1
28	CPC-240-28C	GEAR (DRIVEN)	1
29	CPC-240-29C	BOLT M8X16T	1

30	CPC-240-30C	COPPER PACKING Φ 8	1
31	CPC-240-31C	CONNECTOR	1
32	CPC-240-32C	PULLEY	1
33	CPC-240-33C	KEY 8X7X25	1
34	CPC-240-34C	WASHER	1
35	CPC-240-35C	BOLT M8X40T	1
36	CPC-240-36C	SW M8	1
37	CPC-240-37C	BOLT M12X45T	2
38	CPC-240-38C	BOLT M12X120T	6
39	CPC-240-39C	SW M12	8
40	CPC-240-40C	PW M12	8
41	CPC-240-41C	BELT COVER (LOWER)	1
42	CPC-240-42C	SOCKET HEAD BOLT M6X45T	5



CONTROL

S/NO	PART NO	DESCRIPTION	QTY
1	CPC-240-01D	THROTTLE LEVER ASSEMBLY	1
2	CPC-240-02D	THROTTLE WIRE	1
3	CPC-240-03D+04D	HANDLE AY	1
5	CPC-240-05D	BOLT M16X150T	1
6	CPC-240-06D	PW M16	2
7	CPC-240-07D	CONICAL SPRING WASHER M16	4
8	CPC-240-08D	NUT M16	2
9	CPC-240-09D	SHOCK ABSORBER, STOPPER	1
10	CPC-240-10D	LOCK NUT M10	1
11	CPC-240-11D	PACKING M10	1
12	CPC-240-12D	HAND PUMP ASSEMBLY	1
13	CPC-240-13D	TRAVEL LEVER	1
14	CPC-240-14D	SOCKET HEAD BOLT M8X25T	2
15	CPC-240-15D	COLLAR	1
16	CPC-240-16D	WAVE WASHER 15.5X20X0.3	4
17	CPC-240-17D	PUMP HOLDER M8X60T	2
18	CPC-240-18D	NYLON NUT M8	2
19	CPC-240-19D	SW, PACKINGX2 M8	2
20	CPC-240-20D	OIL HOSE	1
21	CPC-240-21D	BOLT M8X16T	2
22	CPC-240-22D	SW, PACKING M8	2
24	CPC-240-24D	HANDLE BRACKET (L)	1
25	CPC-240-25D	HANDLE BRACKET (R)	1
26	CPC-240-26D	STOPPER	1
27	CPC-240-27D	SPRING	1
28	CPC-240-28D	SPRING PIN 2X16	1
29	CPC-240-29D	BOLT M10X30T	4
30	CPC-240-30D	SW, PACKING M10	4
31	CPC-240-31D	HANDLE GRIP	1
32	CPC-240-32D	BOLT M6X25T	2
33	CPC-240-33D	SW M6	2

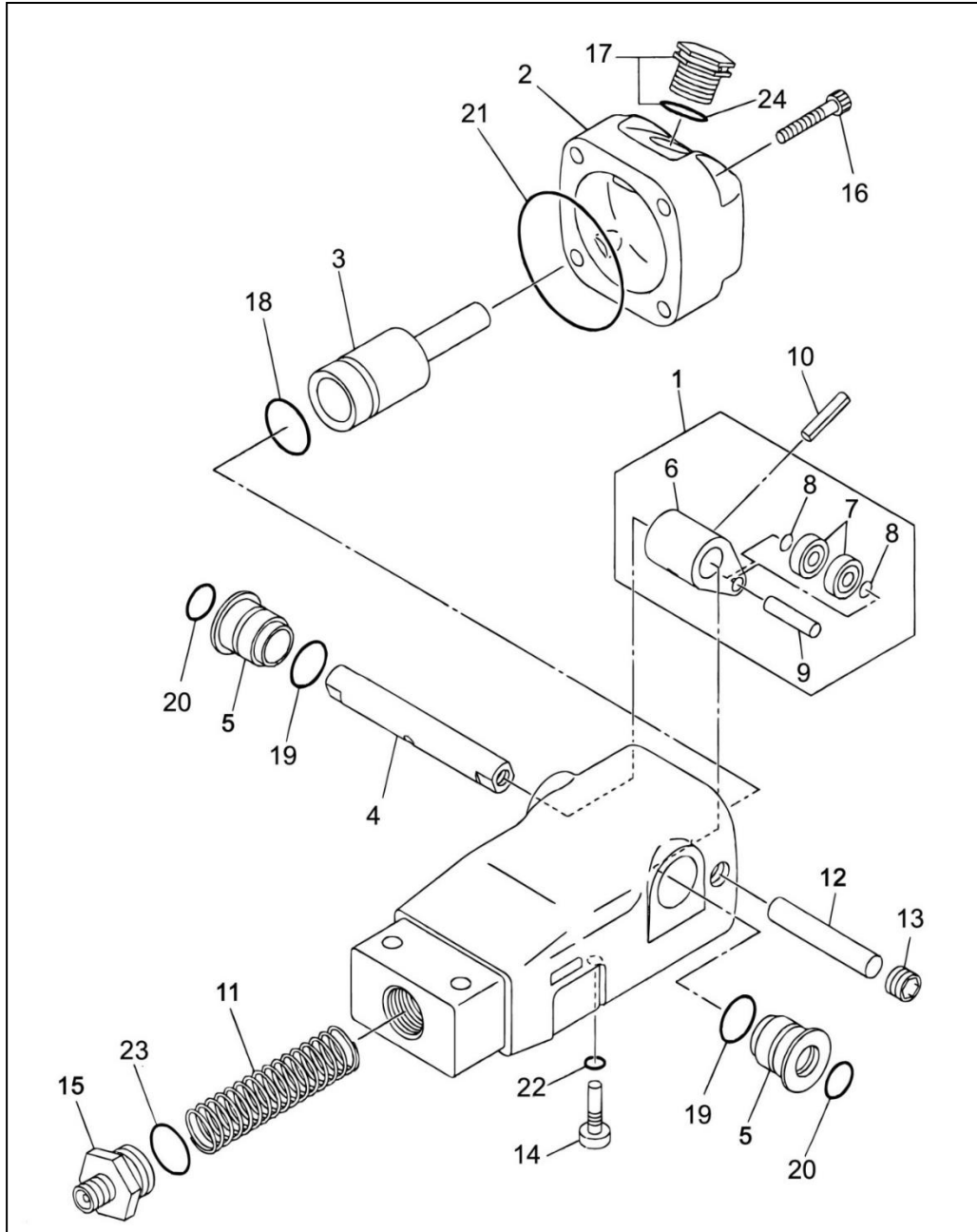


BETON TROWEL NV

34	CPC-240-34D	PW M6	2
----	-------------	-------	---

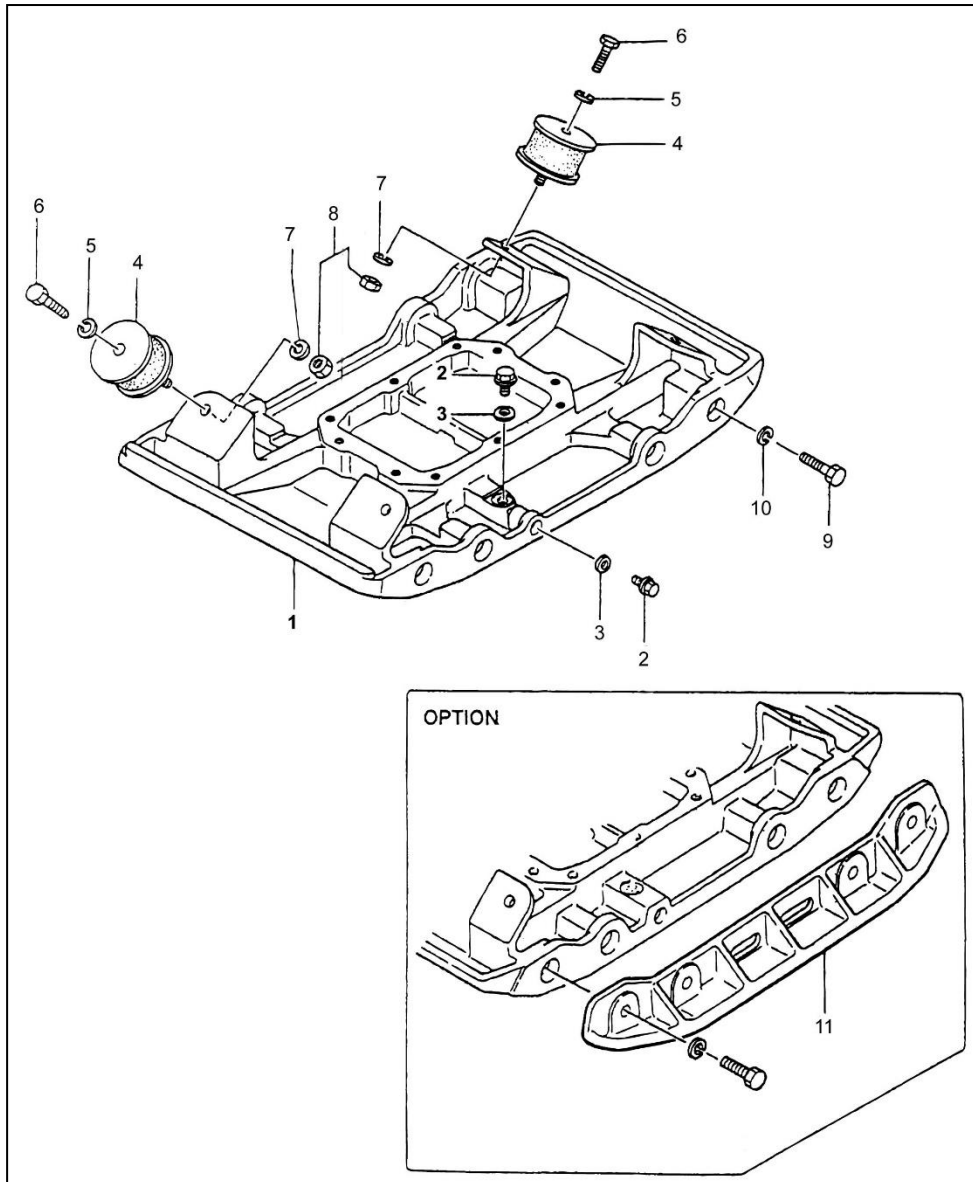
Nijverheidsstraat 10
1840 Londerzeel/Belgium
Tel: +32 (0)52 315 350 - Tel: +32 (0)52 315 351
Fax: +32 (0)52 315 359
E-mail: info@betontrowel.com
BE 0821.249.312
www.betontrowel.com

BNP FORTIS: BE81 0015 9813 5624 - GEBABEBB
ING: BE BBRUBEBB

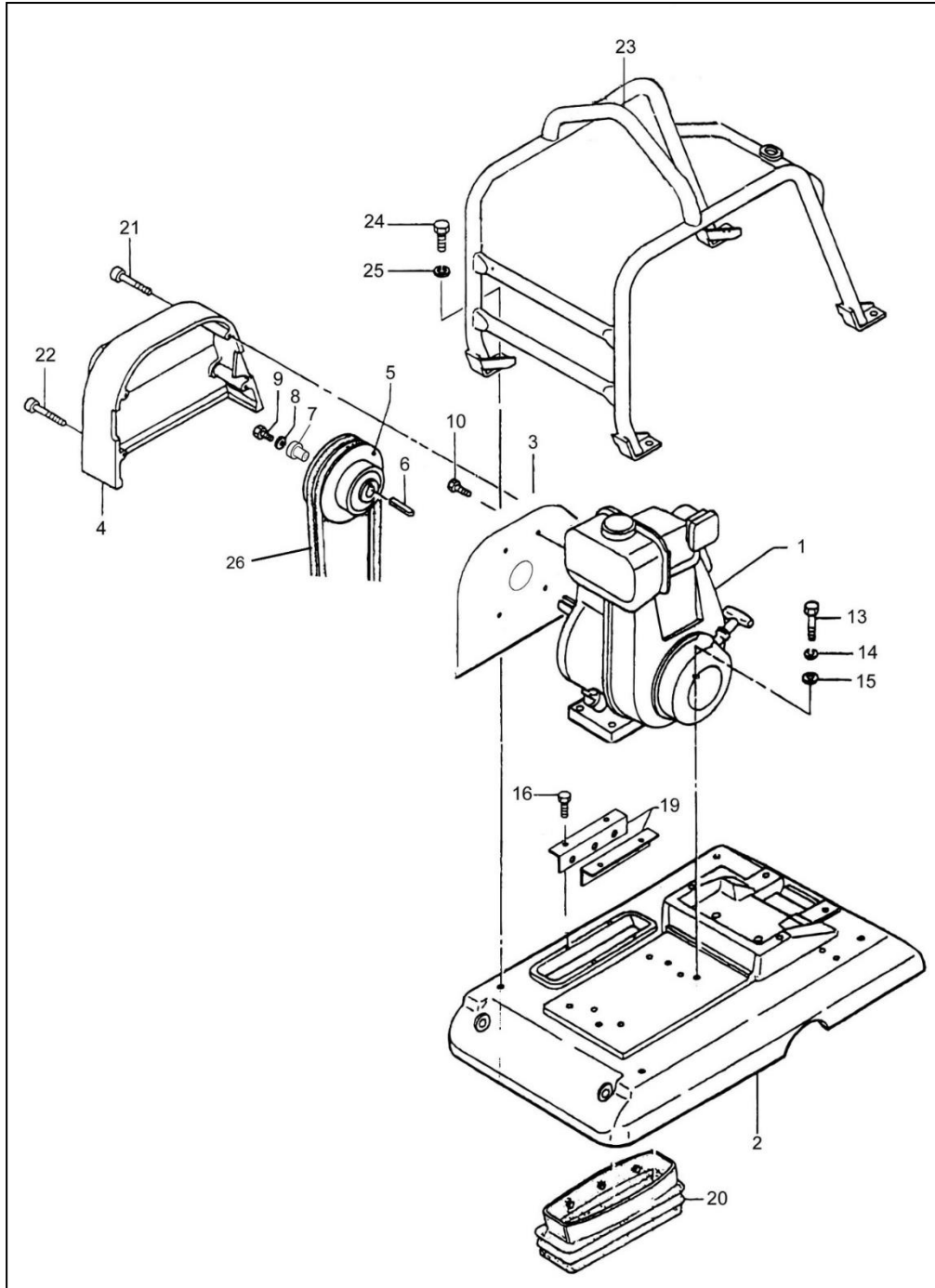


HAND PUMP ASSEMBLY			
S/NO	PART NO	DESCRIPTION	QTY
1	CPC-240-01E	CAN COMP (PUMP)	1
2	CPC-240-02E	COVER (HAND PUMP)	1
3	CPC-240-03E	PISTON CP	1
4	CPC-240-04E	CONTROL SHAFT (PUMP)	1
5	CPC-240-05E	BUSH	2
6	CPC-240-06E	CAN (PUMP)	1
7	CPC-240-07E	BEARING 607ZZ	2
8	CPC-240-08E	SPACER	2
9	CPC-240-09E	PIN 7X30	1
10	CPC-240-10E	SPRING PIN 6X25	1
11	CPC-240-11E	SPRING (PUMP)	1
12	CPC-240-12E	STOPPER (PUMP) 12X60	1
13	CPC-240-13E	PLUG	1
14	CPC-240-14E	STOP PLUG M8X30	1
15	CPC-240-15E	HOSE JOINT	1
16	CPC-240-16E	SOCKET HEAD BOLT M6X40T	4
17	CPC-240-17E	BEREATHER (PUMP)	1
18	CPC-240-18E	O-RING 22.4X30X4.8	1
19	CPC-240-19E	O-RING 24X2.5	2
20	CPC-240-20E	O-RING 19X2.5	2
21	CPC-240-21E	O-RING 70X2	1
22	CPC-240-22E	PACKING Φ 8	1
23	CPC-240-23E	PACKING Φ 25	1
24	CPC-240-24E	PACKING Φ 20	1

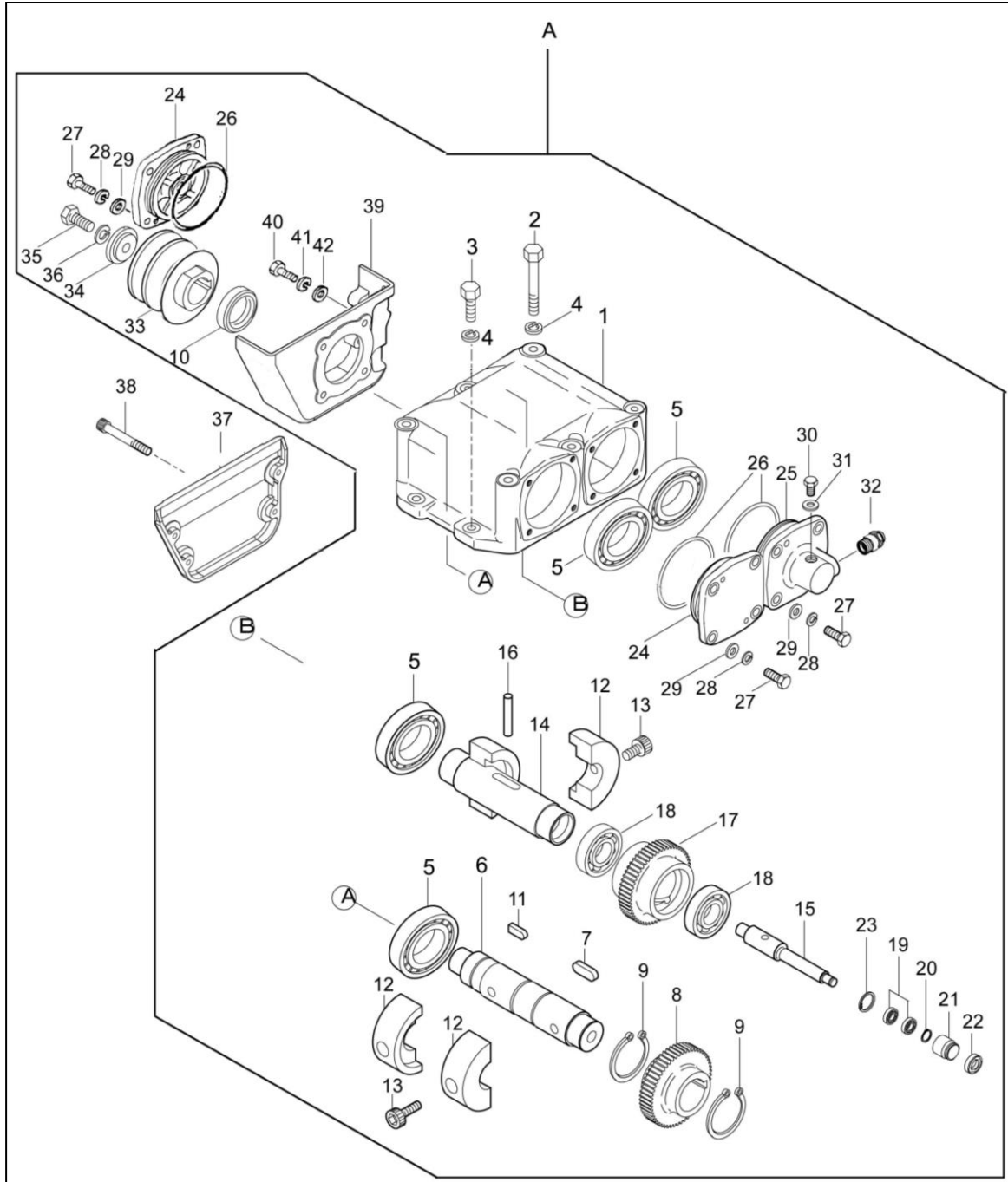
18. SPARE PARTS LIST BTPC350



VIBRATING PLATE			
S/NO	PART NO	DESCRIPTION	QTY
1	CPC-350-01A	VIBRATING PLATE	1
2	CPC-350-02A	DRAIN PLUG M16X1.5	2
3	CPC-350-03A	PACKING Φ 16	2
4	CPC-350-04A	SHOCK ABSORBER	4
5	CPC-350-05A	SW & PACKING M16	4
6	CPC-350-06A	BOLT M16X75T	4
7	CPC-350-07A	SW & PACKING M16	4
8	CPC-350-08A	NUT M16	4
9	CPC-350-09A	BOLT M16X50T	8
10	CPC-350-10A	SW & PACKING M16	8
11	CPC-350-11A	EXTESION PLATE	2



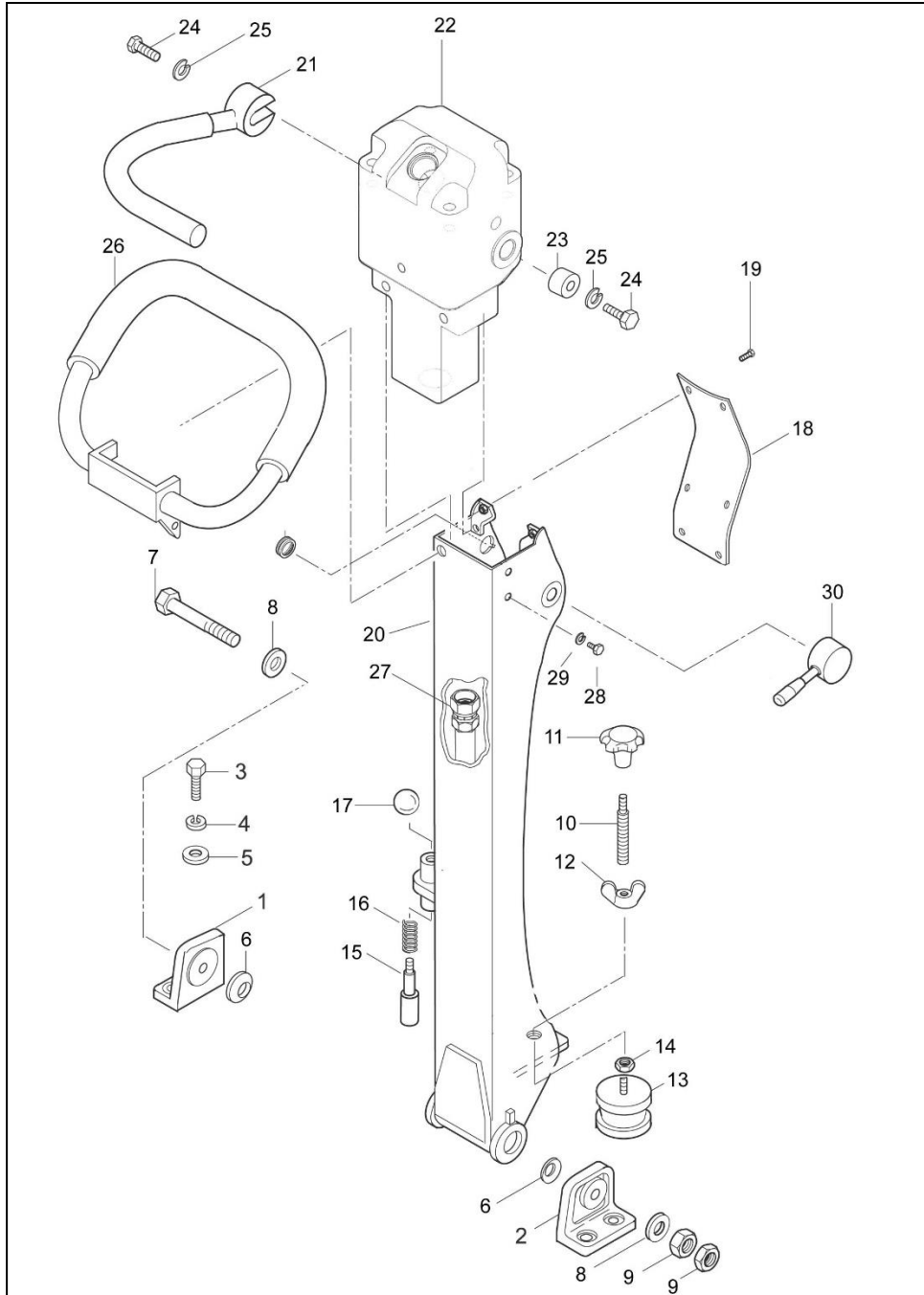
BODY			
S/NO	PART NO	DESCRIPTION	QTY
1	CPC-350-01B	ENGINE	1
2	CPC-350-02B	BASE	1
3	CPC-350-03B	BELT COVER (IN)	1
4	CPC-350-04B	BELT COVER (OUT)	1
5	CPC-350-05B	CLUTCH ASSY	1
6	CPC-350-06B	KEY 7X7X35	1
7	CPC-350-07B	WASHER	1
8	CPC-350-08B	SW M10	1
9	CPC-350-09B	SOCKET HEAD BOLT M10X30T	1
10	CPC-350-10B	SOCKET HEAD BOLT M8X25T	4
13	CPC-350-13B	BOLT M10X45T	4
14	CPC-350-14B	SW M10	4
15	CPC-350-15B	PW M10	4
16	CPC-350-16B	BOLT M6X15T	4
19	CPC-350-19B	HOLDER, DUST COVER	2
20	CPC-350-20B	DUST COVER	1
21	CPC-350-21B	BOLT M10X100T	2
22	CPC-350-22B	BOLT M10X100T	2
23	CPC-350-23B	GUARD FRAME	1
24	CPC-350-24B	BOLT M14X30T	4
25	CPC-350-25B	SW & PACKING M14	4
26	CPC-350-26B	BELT	1



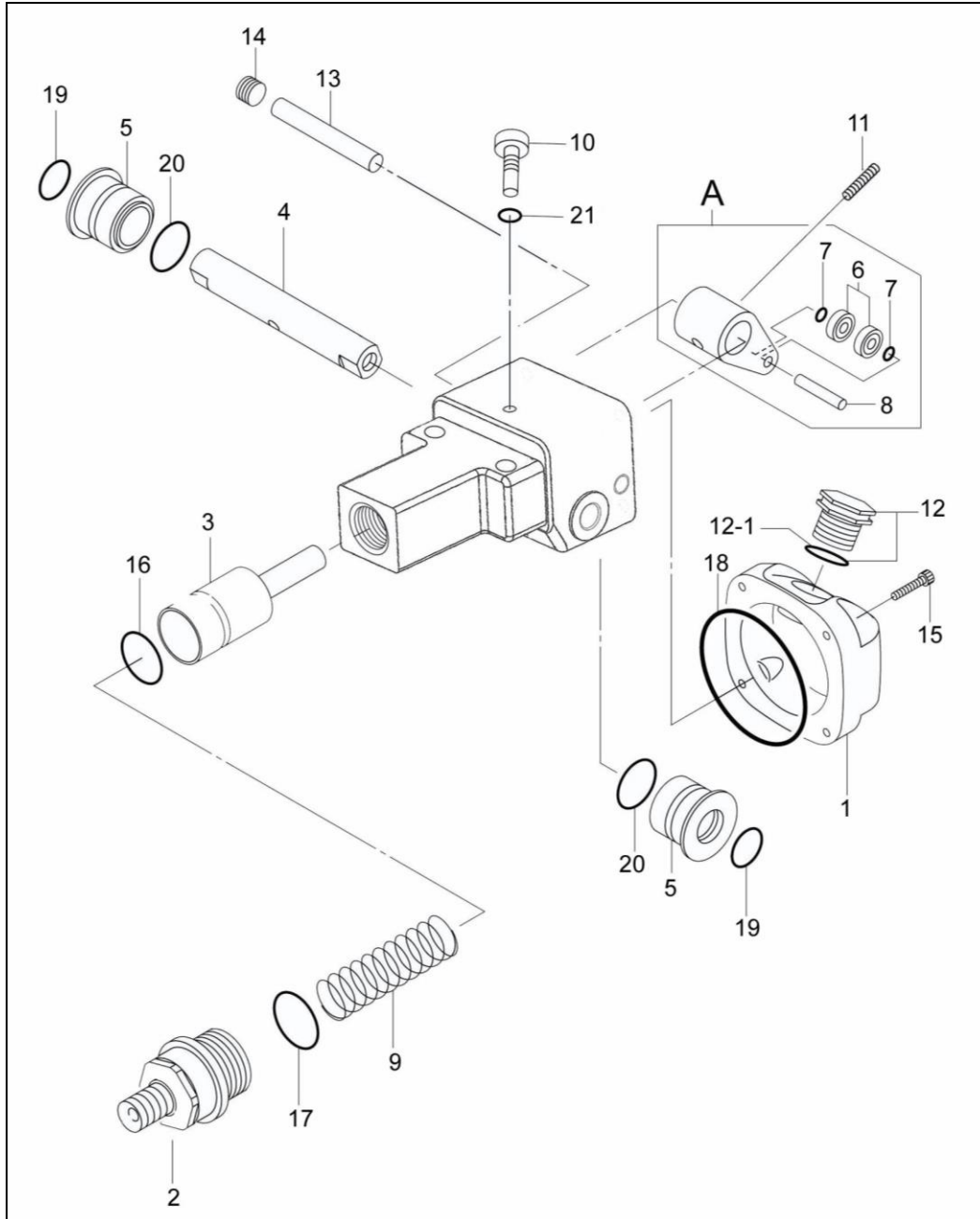
VIBRATOR

S/NO	PART NO	DESCRIPTION	QTY
C	CPC-350-C	VIBRATOR ASSEMBLY	1
1	CPC-350-01C	VIBRATING CASE	1
2	CPC-350-02C	BOLT M14X150T	6
3	CPC-350-03C	BOLT M14X50T	4
4	CPC-350-04C	SW & PACKING M14	10
5	CPC-350-05C	ROLLER BEARING NJ310 C3	4
6	CPC-350-06C	ROTARY SHAFT, DRIVE	1
7	CPC-350-07C	KEY 16X10X40	1
8	CPC-350-08C	GEAR (DRIVE)	1
9	CPC-350-09C	STOP RING S-55	2
10	CPC-350-10C	OIL SEAL SB-50720	1
11	CPC-350-11C	KEY 12X8X30	1
12	CPC-350-12C	ECCENT. ROTATOR	4
13	CPC-350-13C	SOCKET HEAD BOLT M16X1.5X30	2
		SOCKET HEAD BOLT M16X1.5X40	2
14	CPC-350-14C	ROTARY SHAFT, DRIVEN	1
15	CPC-350-15C	PISTON ROD	1
16	CPC-350-16C	KNOCK PIN 10X70	1
17	CPC-350-17C	GEAR (DRIVEN)	1
18	CPC-350-18C	BEARING 6911	2
19	CPC-350-19C	BEARING 6000ZZ	2
20	CPC-350-20C	STOP RING S-10	1
21	CPC-350-21C	PISTON	1
22	CPC-350-22C	OIL SEAL USH-22	1
23	CPC-350-23C	STOP RING R-26	1
24	CPC-350-24C	BEARING COVER	2
25	CPC-350-25C	CYLINDER	1
26	CPC-350-26C	O-RING 106X3.1	3
27	CPC-350-27C	BOLT M10X25T	12
28	CPC-350-28C	SW M10	12
29	CPC-350-29C	PW M10	12
30	CPC-350-30C	BOLT M8X12T	1
31	CPC-350-31C	PACKING Φ 8	1
32	CPC-350-32C	ELBOW	1
33	CPC-350-33C	PULLEY	1

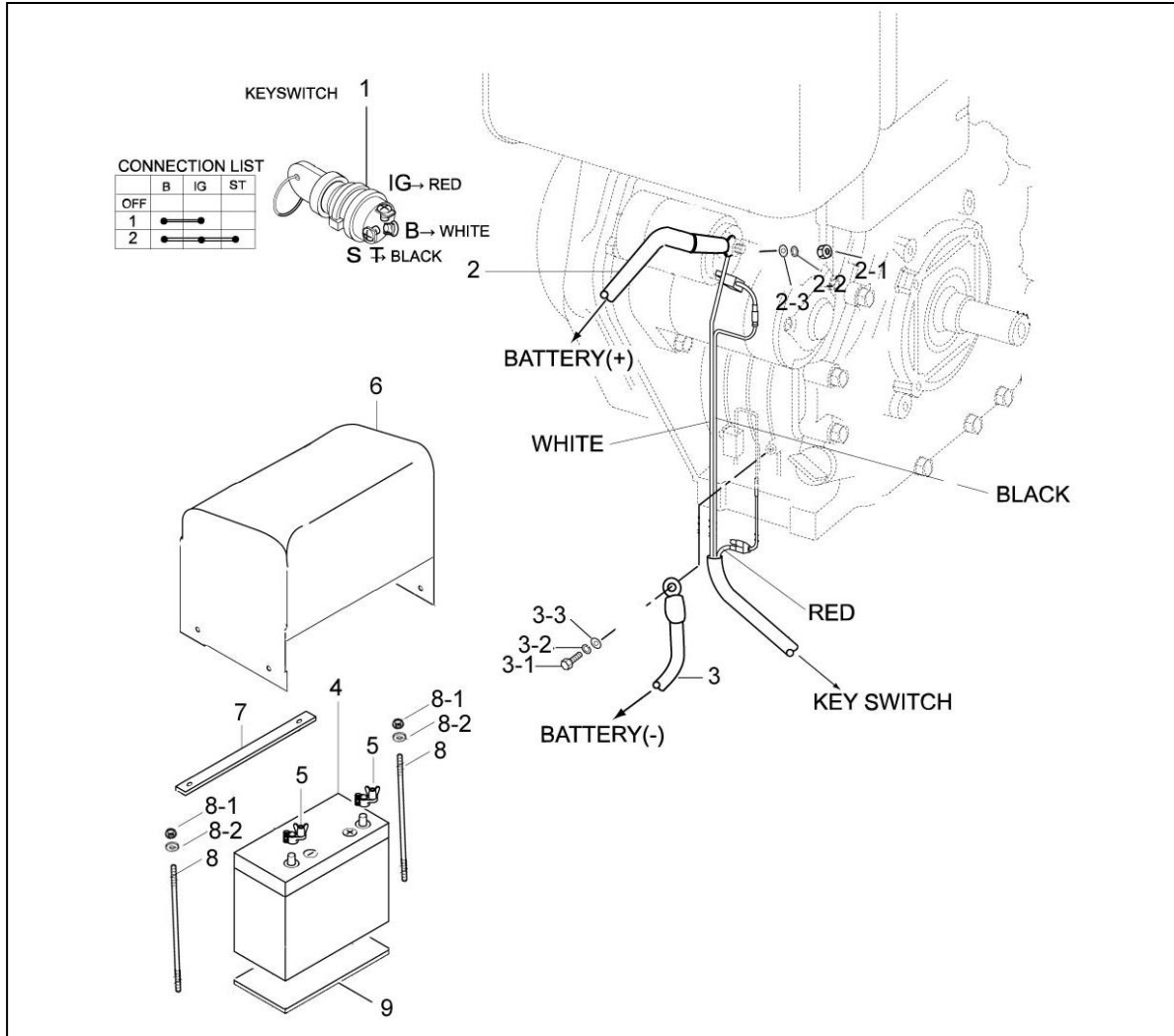
34	CPC-350-34C	WASHER, PULLEY	1
35	CPC-350-35C	BOLT M12X40T	1
36	CPC-350-36C	SW M12	1
37	CPC-350-37C	BELT COVER (LOWER-OUT)	1
38	CPC-350-38C	SOCKET HEAD BOLT M8X35	4
39	CPC-350-39C	BELT COVER (LOWER-IN)	1
40	CPC-350-40C	BOLT M10X35T	4
41	CPC-350-41C	SW M10	4
42	CPC-350-42C	PW M10	4



CONTROL			
S/NO	PART NO	DESCRIPTION	QTY
1	CPC-350-01D	HANDLE BRACKET	1
2	CPC-350-02D	HANDELE BRACKET (R)	1
3	CPC-350-03D	BOLT M12X35T	4
4	CPC-350-04D	SW M12	4
5	CPC-350-05D	PW M12	4
6	CPC-350-06D	CONICAL SPRING WASHER M16	4
7	CPC-350-07D	BOLT M16X180T	1
8	CPC-350-08D	PW M16	2
9	CPC-350-09D	LOCK NUT M16	1
10	CPC-350-10D	SPINDLE M16	1
11	CPC-350-11D	KNOB	1
12	CPC-350-12D	WING NUT M16	1
13	CPC-350-13D	SHOCK ABSORBER	1
14	CPC-350-14D	NUT M10	1
15	CPC-350-15D	HANDLE STOPPER	1
16	CPC-350-16D	SPRING/HANDLE (1.4X18X44)	1
17	CPC-350-17D	BALL GRIP 32D-M10	1
18	CPC-350-18D	HANDLE COVER	1
19	CPC-350-19D	BOLT M6X10T	8
20	CPC-350-20D	HANDLE	1
21	CPC-350-21D	TRAVEL LEVER	1
22	CPC-350-22D	HAND PUMP AY	1
23	CPC-350-23D	HANDLE BOSS	1
24	CPC-350-24D	BOLT M8X25T	2
25	CPC-350-25D	SW M10	2
26	CPC-350-26D	GRIP	1
27	CPC-350-27D	OIL HOSE	1
28	CPC-350-28D	BOLT M10X25T	2
29	CPC-350-29D	SW & PACKIING M10	2
30	CPC-350-30D	THROTTLE LEVER AY	1
30-1	CPC-350-30-1D	THROTTLE WIRE	1

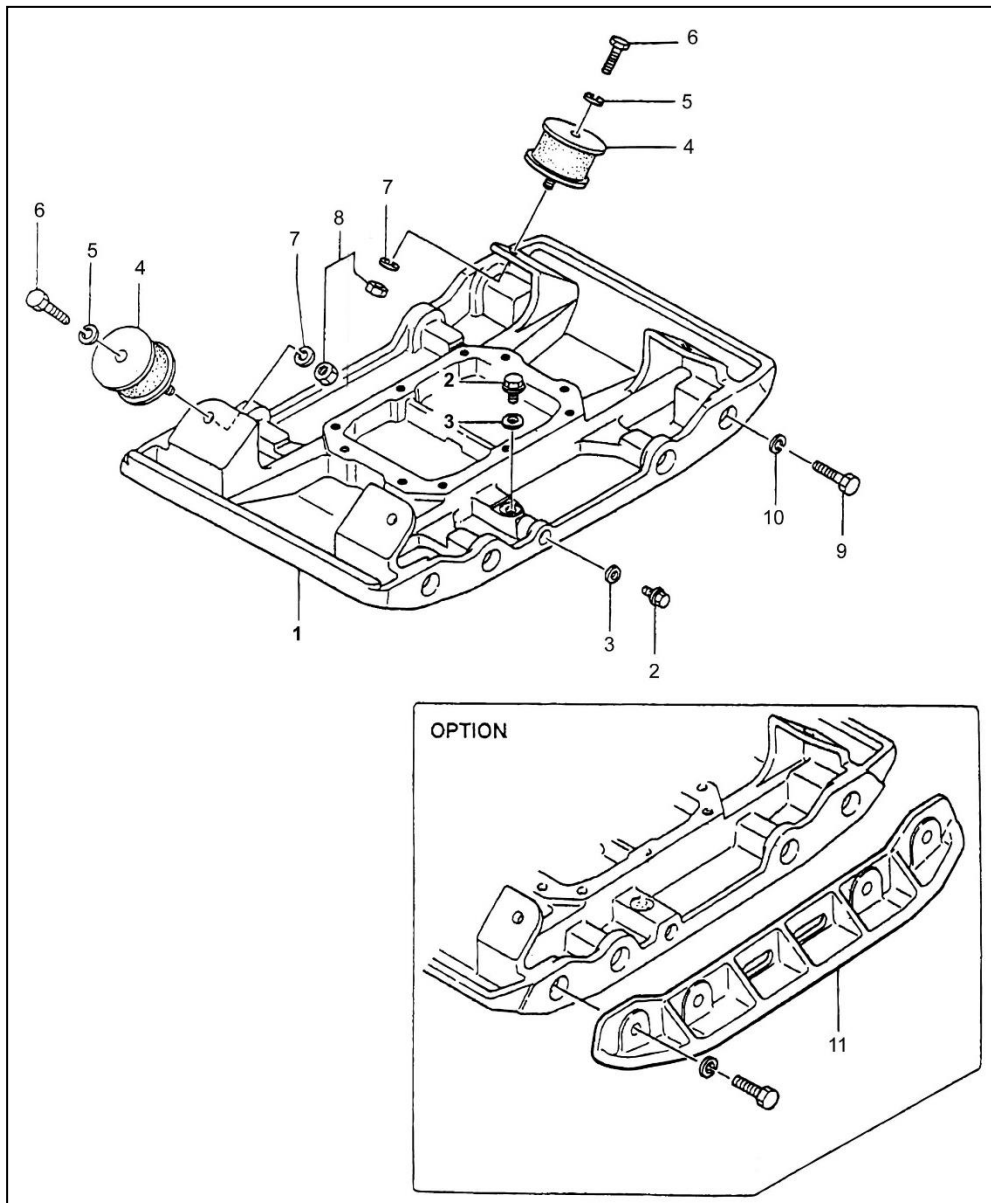


HAND PUMP ASSEMBLY			
S/NO	PART NO	DESCRIPTION	QTY
1	CPC-350-01E	COVER (HAND PUMP)	1
2	CPC-350-02E	CYLINDER CP (PUMP)	1
3	CPC-350-03E	PISTON CP (PUMP)	1
4	CPC-350-04E	CONTROL SHAFT (PUMP)	1
5	CPC-350-05E	BUSH	2
6	CPC-350-06E	BEARING 607ZZ	2
7	CPC-350-07E	O-RING Φ 12X2.4	2
8	CPC-350-08E	PIN 7X30	1
9	CPC-350-09E	PISTON SPRING (PUMP)	1
10	CPC-350-10E	STOP PLUG M8X30T	1
11	CPC-350-11E	SPRING PIN (6X25, 4X25)	1
12	CPC-350-12E	BREATHER (PUMP)	1
12-1	CPC-350-12-1E	PACKING Φ 20	1
13	CPC-350-13E	STOPPER 12X80	1
14	CPC-350-14E	PLUG G1/4	1
15	CPC-350-15E	SOCKET HEAD BOLT M8X35T	4
16	CPC-350-16E	OIL SEAL 22.4X4.8	1
17	CPC-350-17E	PACKING Φ 24	1
18	CPC-350-18E	O-RING 70X20	1
19	CPC-350-19E	O-RING 19X2.5	2
20	CPC-350-20E	O-RING 24X2.5	2
21	CPC-350-21E	PACKING Φ 8	1

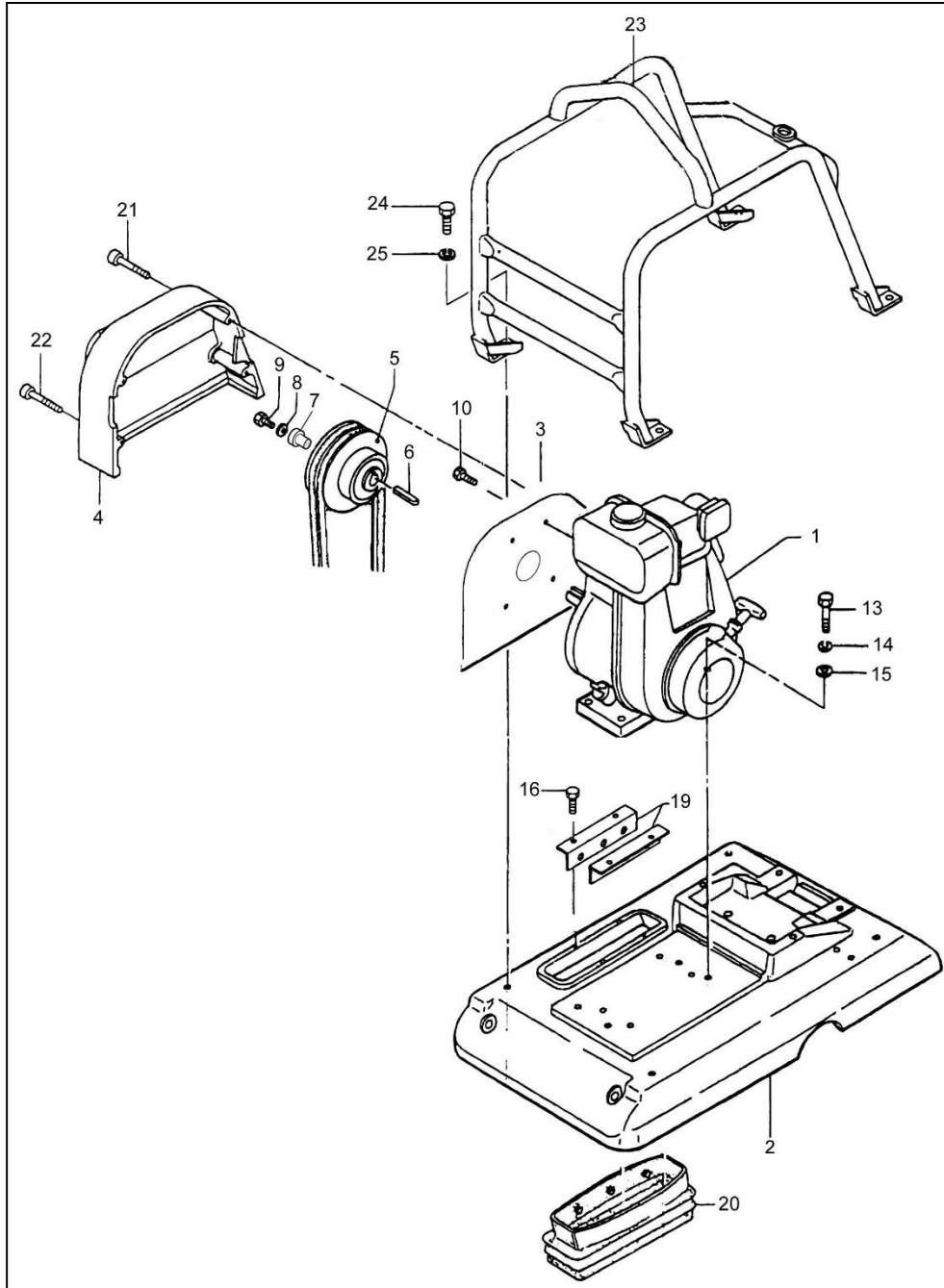


ELECTRIC DEVICE			
S/NO	PART NO	DESCRIPTION	QTY
1	CPC-350-1F	STARTER SWITCH AY	1
2	CPC-350-2F	BATTERY CORD (+)	1
2-1	CPC-350-2-1F	NUT M8	1
2-2	CPC-350-2-2F	SW M8	1
2-3	CPC-350-2-3F	PW M8	1
3	CPC-350-3F	BATTERY CORD (-)	1
3-1	CPC-350-3-1F	BOLT M8	1
3-2	CPC-350-3-2F	SW M8	1
3-3	CPC-350-3-3F	PW M8	1
4	CPC-350-4F	BATTERY	1
5	CPC-350-5F	BATTERY TERMINAL	2
6	CPC-350-6F	BATTERY COVER	1
7	CPC-350-7F	HOLDER, BATTERY	1
8	CPC-350-8F	BATTERY BOLT	2
8-1	CPC-350-8-1F	NUT M10	2
8-2	CPC-350-8-2F	PW M10	2
9	CPC-350-9F	RUBBER PACKING	1

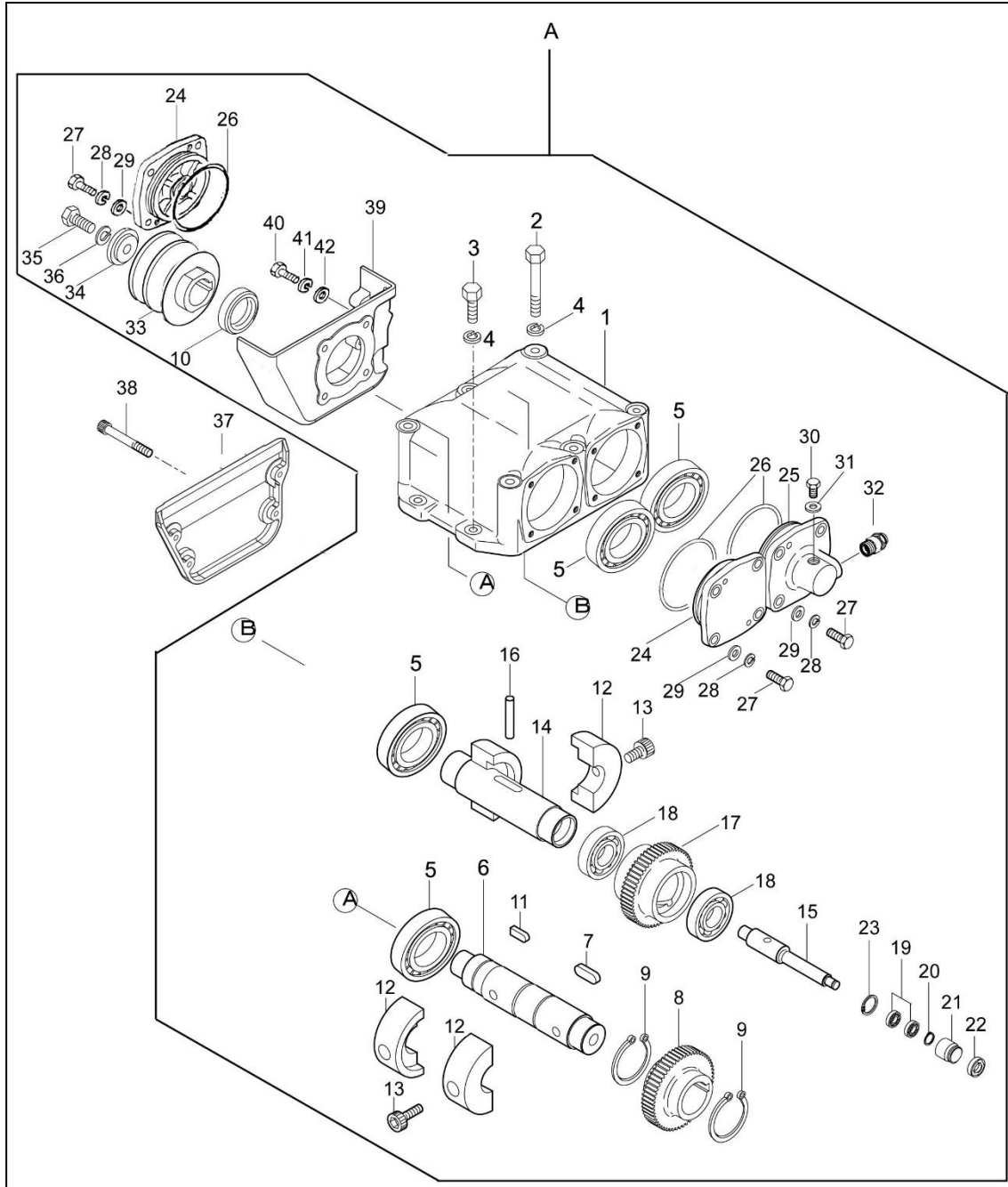
19. SPARE PARTS LIST BTPC405



VIBRATING PLATE			
S/NO	PART NO	DESCRIPTION	QTY
1	CPC-405-1A	VIBRATING PLATE	1
2	CPC-405-2A	DRAIN PLUG M16X1.5	2
3	CPC-405-3A	PACKING Φ 16	2
4	CPC-405-4A	SHOCK ABSORBER	4
5	CPC-405-5A	SW M16	4
6	CPC-405-6A	BOLT M16X75T	4
7	CPC-405-7A	SW M16	4
8	CPC-405-8A	NUT M16	4
9	CPC-405-9A	BOLT M16X50T	8
10	CPC-405-10A	SW M16	8
11	CPC-405-11A	EXTESION PLATE	2

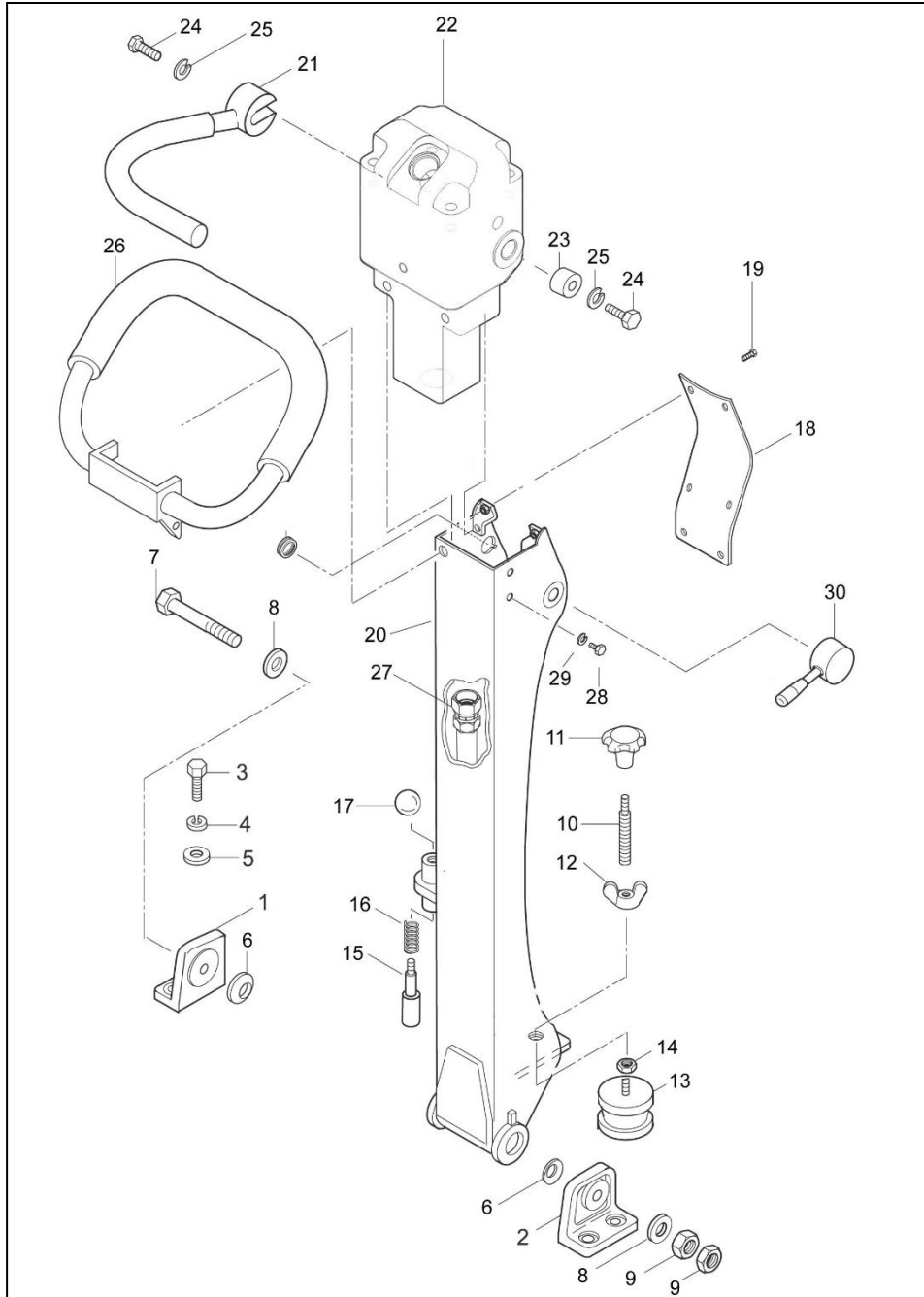


BODY			
S/NO	PART NO	DESCRIPTION	QTY
1	CPC-405-1B	ENGINE	1
2	CPC-405-2B	BASE	1
3	CPC-405-3B	BELT COVER (IN)	1
4	CPC-405-4B	BELT COVER (OUT)	1
5	CPC-405-5B	CLUTCH ASSY	1
6	CPC-405-6B	KEY 7X7X35	1
7	CPC-405-7B	WASHER	1
8	CPC-405-8B	SW M8	1
9	CPC-405-9B	BOLT M8X55T	1
10	CPC-405-10B	BOLT M8X25T	4
13	CPC-405-13B	BOLT M10X40T	4
14	CPC-405-14B	SW M10	4
15	CPC-405-15B	PW M10	4
16	CPC-405-16B	BOLT M6X15T	4
19	CPC-405-19B	HOLDER, DUST COVER	2
20	CPC-405-20B	DUST COVER	1
21	CPC-405-21B	SOCKET HEAD BOLT M10X80T	2
22	CPC-405-22B	SOCKET HEAD BOLT M10X90T	2
23	CPC-405-23B	GUARD FRAME	1
24	CPC-405-24B	BOLT M14X30T	4
25	CPC-405-25B	SW M14	4

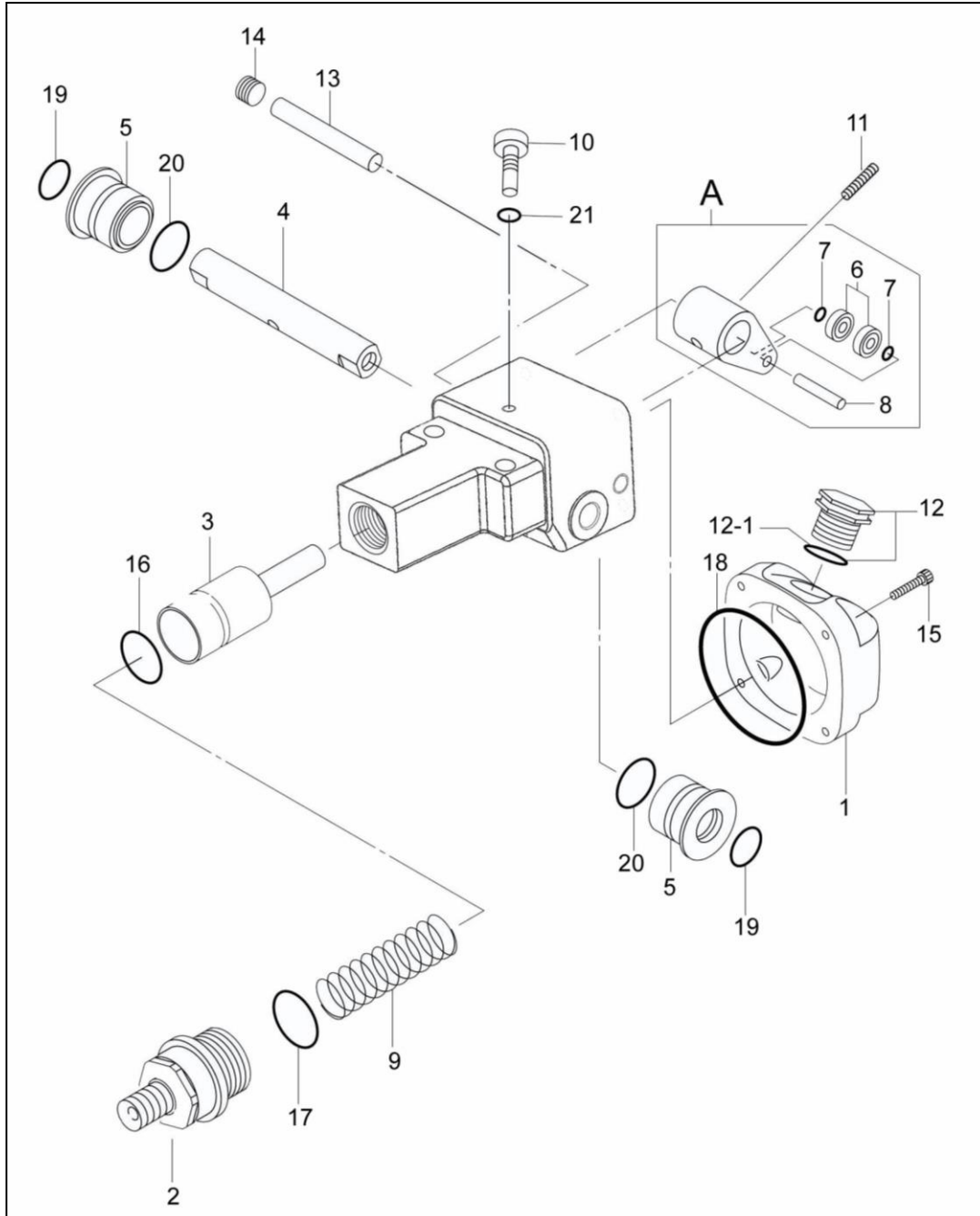


VIBRATOR			
S/NO	PART NO	DESCRIPTION	QTY
C	CPC-405-C	VIBRATOR ASSEMBLY	1
1	CPC-405-1C	VIBRATING CASE	1
2	CPC-405-2C	BOLT M14X160T	6
3	CPC-405-3C	BOLT M14X60T	4
4	CPC-405-4C	SW M14	10
5	CPC-405-5C	ROLLER BEARING NJ310 C3	4
6	CPC-405-6C	ROTARY SHAFT, DRIVE	1
7	CPC-405-7C	KEY 16X10X40	1
8	CPC-405-8C	GEAR (DRIVE)	1
9	CPC-405-9C	STOP RING S-55	2
10	CPC-405-10C	OIL SEAL SB-50729	1
11	CPC-405-11C	KEY 12X8X30	1
12	CPC-405-12C	ECCENT. ROTATOR	4
13	CPC-405-13C	SOCKET HEAD BOLT M16X30	4
14	CPC-405-14C	ROTARY SHAFT, DRIVEN	1
15	CPC-405-15C	PISTON ROD	1
16	CPC-405-16C	KNOCK PIN 10X70	1
17	CPC-405-17C	GEAR (DRIVEN)	1
18	CPC-405-18C	BEARING 6911	2
19	CPC-405-19C	BEARING 6000ZZ	2
20	CPC-405-20C	STOP RING S-10	1
21	CPC-405-21C	PISTON 22.4D	1
22	CPC-405-22C	PACKING	1
23	CPC-405-23C	STOP RING R-26	1
24	CPC-405-24C	BEARING COVER	2
25	CPC-405-25C	CYLINDER	1
26	CPC-405-26C	O-RING G-105	3
27	CPC-405-27C	BOLT M10X25T	12
28	CPC-405-28C	SW M10	12
29	CPC-405-29C	PW M10	12
30	CPC-405-30C	BOLT M8X12T	1
31	CPC-405-31C	PACKING Φ 8	1
32	CPC-405-32C	ELBOW	1
33	CPC-405-33C	PULLEY	1
34	CPC-405-34C	WASHER, PULLEY	1

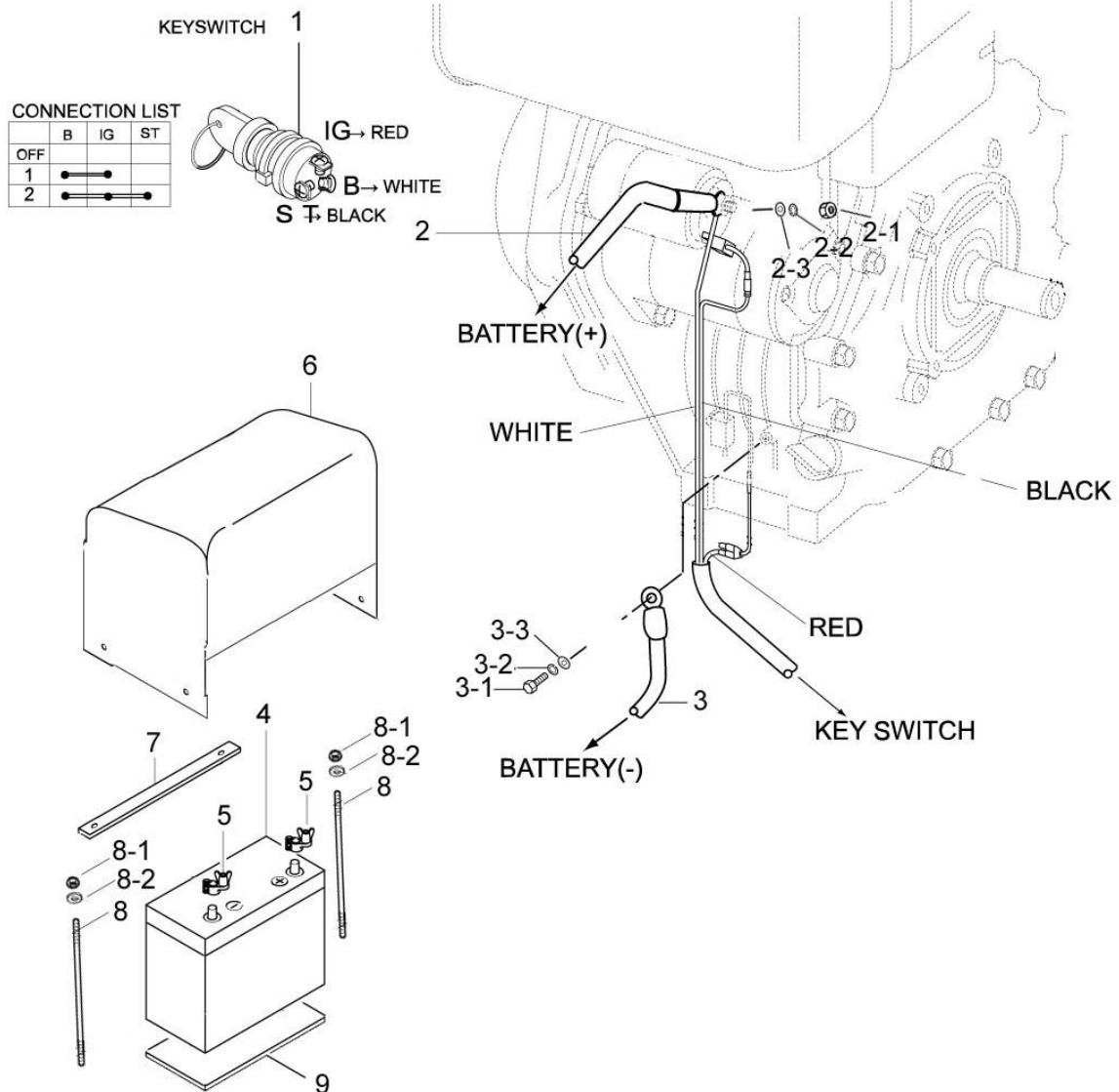
35	CPC-405-35C	BOLT M12X30T	1
36	CPC-405-36C	SW M12	1
37	CPC-405-37C	BELT COVER (LOWER-OUT)	1
38	CPC-405-38C	SOCKET HEAD BOLT M8X35	4
39	CPC-405-39C	BELT COVER (LOWER-IN)	1
40	CPC-405-40C	BOLT M10X35T	4
41	CPC-405-41C	SW M10	4
42	CPC-405-42C	PW M10	4



CONTROL			
S/NO	PART NO	DESCRIPTION	QTY
1	CPC-405-1D	HANDLE BRACKET	1
2	CPC-405-2D	HANDELE BRACKET (R)	1
3	CPC-405-3D	BOLT M12X35T	4
4	CPC-405-4D	SW M12	4
5	CPC-405-5D	PW M12	4
6	CPC-405-6D	CONICAL SPRING WASHER M24	2
7	CPC-405-7D	BOLT M16X250T	1
8	CPC-405-8D	PW M16	2
9	CPC-405-9D	NUT M16	2
10	CPC-405-10D	SPINDLE	1
11	CPC-405-11D	KNOB	1
12	CPC-405-12D	WING NUT M16	1
13	CPC-405-13D	SHOCK ABSORBER	1
14	CPC-405-14D	NUT M10, H=6	1
15	CPC-405-15D	HANDLE STOPPER	1
16	CPC-405-16D	SPRING/HANDLE (1.4X18X44)	1
17	CPC-405-17D	BALL GRIP 32D-M10	1
18	CPC-405-18D	HANDLE COVER	1
19	CPC-405-19D	BOLT M6X15T	8
20	CPC-405-20D	HANDLE	1
21	CPC-405-21D	TRAVEL LEVER	1
22	CPC-405-22D	HAND PUMP AY	1
23	CPC-405-23D	HANDLE BOSS	1
24	CPC-405-24D	BOLT M10X30T	2
25	CPC-405-25D	SW M10	2
26	CPC-405-26D	GRIP	1
27	CPC-405-27D	OIL HOSE	1
28	CPC-405-28D	BOLT M8X25T	2
29	CPC-405-29D	SW M8	2
30	CPC-405-30D	THROTTLE LEVER AY	1
30-1	CPC-405-30-1D	THROTTLE WIRE	1



HAND PUMP ASSEMBLY			
S/NO	PART NO	DESCRIPTION	QTY
1	CPC-405-1E	COVER (HAND PUMP)	1
2	CPC-405-2E	CYLINDER CP (PUMP)	1
3	CPC-405-3E	PISTON CP (PUMP)	1
4	CPC-405-4E	CONTROL SHAFT (PUMP)	1
5	CPC-405-5E	BUSH	2
6	CPC-405-6E	BEARING 6001ZZ	2
7	CPC-405-7E	O-RING Φ 7X2	2
8	CPC-405-8E	PIN 7X30	1
9	CPC-405-9E	PISTON SPRING (PUMP)	1
10	CPC-405-10E	STOP PLUG	1
11	CPC-405-11E	SPRING PIN	1
12	CPC-405-12E	BREATHER (PUMP)	1
12-1	CPC-405-12-1E	O-RING P-20	1
13	CPC-405-13E	STOPPER	1
14	CPC-405-14E	PLUG	1
15	CPC-405-15E	SOCKET HEAD BOLT M8X35T	4
16	CPC-405-16E	O-RING P-25	1
17	CPC-405-17E	O-RING S-28	1
18	CPC-405-18E	O-RING S-67	1
19	CPC-405-19E	O-RING P-15	2
20	CPC-405-20E	O-RING P-20	2
21	CPC-405-21E	PACKING Φ 8	1



ELECTRIC DEVICE			
S/NO	PART NO	DESCRIPTION	QTY
1	CPC-405-1F	STARTER SWITCH AY	1
2	CPC-405-2F	BATTERY CORD (+)	1
2-1	CPC-405-2-1F	NUT M8	1
2-2	CPC-405-2-2F	SW M8	1
2-3	CPC-405-2-3F	PW M8	1
3	CPC-405-3F	BATTERY CORD (-)	1
3-1	CPC-405-3-1F	BOLT M8	1
3-2	CPC-405-3-2F	SW M8	1
3-3	CPC-405-3-3F	PW M8	1
4	CPC-405-4F	BATTERY	1
5	CPC-405-5F	BATTERY TERMINAL	2
6	CPC-405-6F	BATTERY COVER	1
7	CPC-405-7F	HOLDER, BATTERY	1
8	CPC-405-8F	BATTERY BOLT	2
8-1	CPC-405-8-1F	NUT M10	2
8-2	CPC-405-8-2F	PW M10	2
9	CPC-405-9F	RUBBER PACKING	1

20. DECLARATION OF CONFORMITY

Declaration of Conformity / Certificat de conformite / Gelijkvormigheidscertificaat / Declaracion de Conformidad / Declaracao de Concomidade / Dichiarazione Di Conformita

Model : BTPC

We Beton Trowel NV

Declare under our sole responsibility that the product to which this declaration relates is in conformity with the following standard(s) or other normative documents.

Déclarons sous notre responsabilité que le produit cette déclaration est conforme aux normes suivantes ou d'autres documents habituels.

Verklaren onder onze verantwoordelijkheid dat het product naar welke de verklaring verwijst conform de volgende standaards of anders gebruikelijke documenten is.

Declaramos bajo nuestra única responsabilidad que el producto en lo que esta declaración concierne, es conforme con la siguiente normativa u otros documentos.


Declara sob sua responsabilidade que o produto a quem esta declaração interessar, está em conformidade com os seguintes documentos legais ou normas directivas.

Dichiariamo sotto la ns. unica responsabilita che il prodotto al quale questa dichiarazione si riferisce, è fabbricato in conformità ai seguenti standard e documenti di normative.

EN 349:1993	Safety of Machinery - Minimum gaps to avoid crushing of parts of the human body.
EN 418:1993	Safety of Machinery - Emergency stop equipment, functional aspects - Principles for design
EN 12100-1:2003	Safety of Machinery - Basic Concepts, general principles for design - Part 1: Basic Terminology, methodology
EN 12100-2:2003	Safety of Machinery - Basic Concepts, general principles for design - Part 2: Technical Principles
EN ISO 4872:1978	Acoustics - Measurement of Airborne noise emitted by construction equipment Intended for outdoor use - Method for determining compliance with noise limits.
EN ISO 5349-1:2001	Mechanical vibration. Measurement and evaluation of human exposure to hand-transmitted vibration. General requirements
EN ISO 5349-2:2001	Mechanical vibration. Measurement and assessment of human exposure to hand-transmitted vibration. Practical guidance for measurement at the workplace.

Following the provisions of Directives / Suivant les directives determines / Volgens de vastgestelde richtlijnen:
Siguiendo las directivas / No sequimento das clausulas da Directivas / Seguendo quanto indicato dalla Direttivas:

98/37/EC	Machinery Directive
2000/14/EC	Noise Directive
2001/95/EC	General Product Safety Directive
2002/95/EC	Reduction of Hazardous Waste Directive



**Responsible Technical File : Chris Livingston for
Beton Trowel NV
Nijverheidsstraat 10, B-1840 Londerzeel, Belgium
Tel 0032 52315350 - Fax0032 52315359**